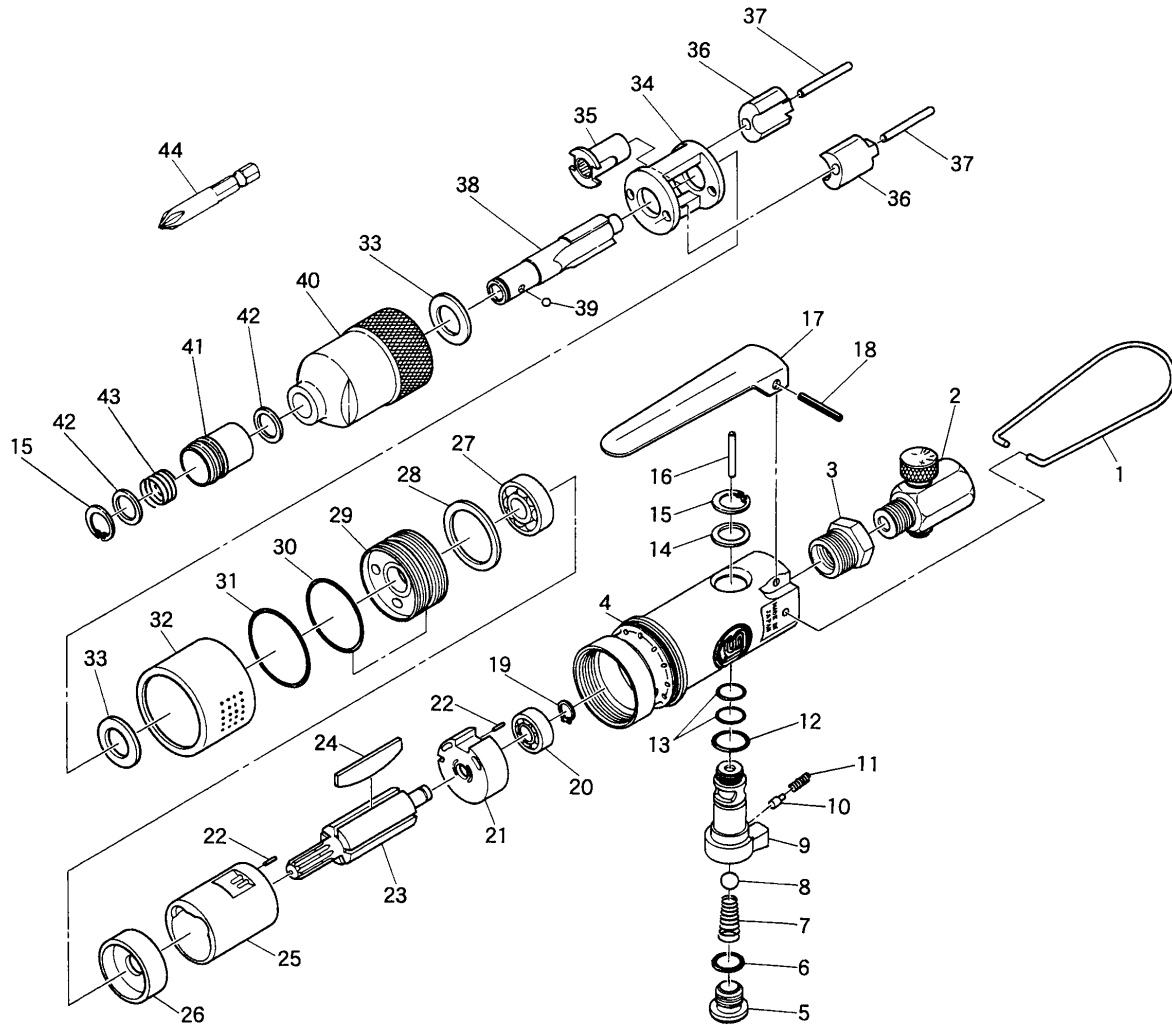


SI-1051

Impact Driver



Ref. No.	Parts No.	Description	Q'ty	Ref. No.	Parts No.	Description	Q'ty
1	982-20	Hanger	1	3	181-17	Rotor	1
2	181-45	Air Regulator	1	24	181-23	Rotor Blade	5
3	670-22SC	Inlet Bushing incl. Screen (4680-28A)	1	25	181-21	Cylinder	1
4	181-3A	Motor Housing	1	26	181-24	Front Plate	1
5	800-14	Valve Screw	1	27	608	Ball Bearing	1
6	P-9	O-Ring	1	28	181-27	Spacer	1
7	140-6	Valve Spring	1	29	181-28	Lock Nut incl. Cam Bush (181-30)	1
8	NB-1/4	Valve Ball	1	30	G-25	O-Ring	1
9	181-5A	Reverse Lever	1	31	181-7A	O-Ring	1
10	670-17	Reverse Pin	1	32	181-26	Deflector	1
11	450-45	Regulator Spring	1	33	181-36	Spacer	2
12	S-11	O-Ring	1	34	181-34	Hammer Cage	1
13	S-8	O-Ring	2	35	181-31	Drive Cam	1
14	181-6A	Washer	1	36	181-32	Hammer Dog	2
15	GV-10	Retaining Ring	2	37	181-33	Hammer Pin	2
16	410-2	Valve Pin	1	38	181-35A	1/4" Hex. Anvil	1
17	350-2	Throttle Lever	1	39	SB-1/8	Steel Ball	1
18	30-24	Roll Pin (3-24mm)	1	40	181-39A	Hammer Cage incl. Anvil Bush (181-38)	1
19	JS-6	Retaining Ring	1	41	181-54	Chuck Sleeve	1
20	606	Ball Bearing	1	42	181-52	Ret. Washer	2
21	181-19	Rear Plate	1	43	181-55	Chuck Sleeve Spring	1
22	15-6	Roll Pin (1.5-6mm)	2	44	181-51	+ Bit No.2	1