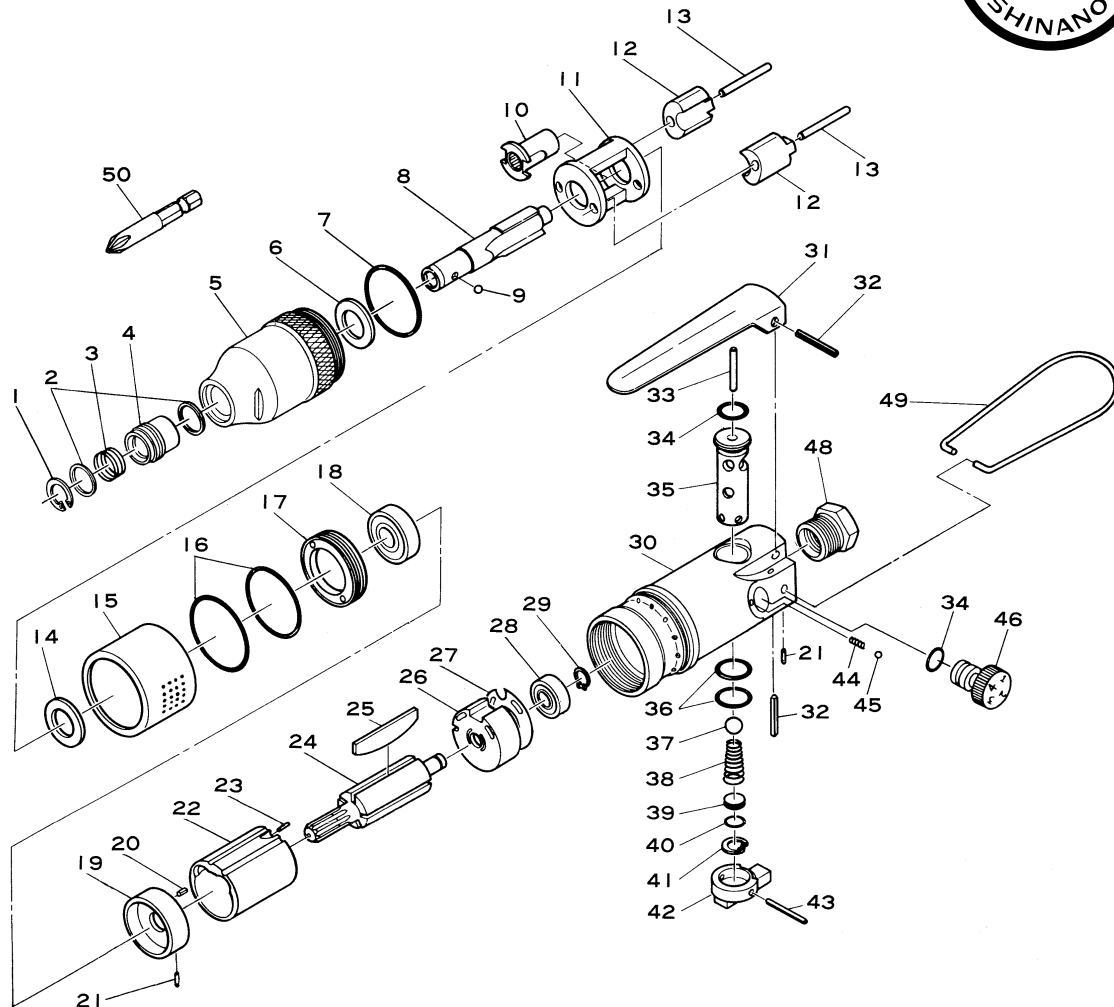


# SI-1061

## Impact Driver



Ref. No.	Parts No.	Description	Q'ty	Ref. No.	Parts No.	Description	Q'ty
1	GV-12	Retaining Ring	1	26	191-6	Rear Plate	1
2	430-52	Retaining Washer	2	27	191-8	Motor Gasket	1
3	430-53	Chuck Sleeve Spring	1	28	626	Ball Bearing	1
4	430-51	Chuck Sleeve	1	29	JS-6	Retaining Ring	1
5	190-6	Hammer Case incl. Anvil Bush (360-20)	1	30	191-1	Motor Housing	1
6	190-8	Anvil Spacer	1	31	350-2	Throttle Lever	1
7	982-31	O-Ring	1	32	30-24	Roll Pin (3-24mm)	2
8	190-9	1/4" Hex. Anvil	1	33	410-2	Valve Pin	1
9	SB-3/16	Steel Ball	1	34	P-8	O-Ring	2
10	190-12	Cam	1	35	191-2	Reverse Valve	1
11	190-13	Hammer Cage	1	36	990-26-1	O-Ring	2
12	190-10	Hammer Dog	2	37	NB-1/4	Valve Ball	1
13	190-11	Hammer Pin	2	38	140-6	Valve Spring	1
14	190-14	Spacer	1	39	181-11	Valve Spacer	1
15	191-4	Deflector	1	40	181-12	O-Ring	1
16	191-5	O-Ring	2	41	JO-8	Retaining Ring	1
17	190-16	Lock Nut	1	42	181-14	Reverse Lever	1
18	608-ZZ	Ball Bearing	1	43	20-18	Roll Pin (2-18mm)	1
19	190-19	Front Plate	1	44	450-45	Regulator Spring	1
20	20-8	Roll Pin (2-8mm)	1	45	SB-1/8	Steel Ball	1
21	25-5	Roll Pin (2.5-5mm)	2	46	191-3	Air Regulator	1
22	191-7	Cylinder	1	48	670-22SC	Inlet Bushing incl. Screen (680-28A)	1
23	20-12	Roll Pin (2-12mm)	1	49	982-20	Hanger	1
24	190-21	Rotor	1	50	181-51	+Bit No.2	1
25	190-1	Rotor Blade	5				