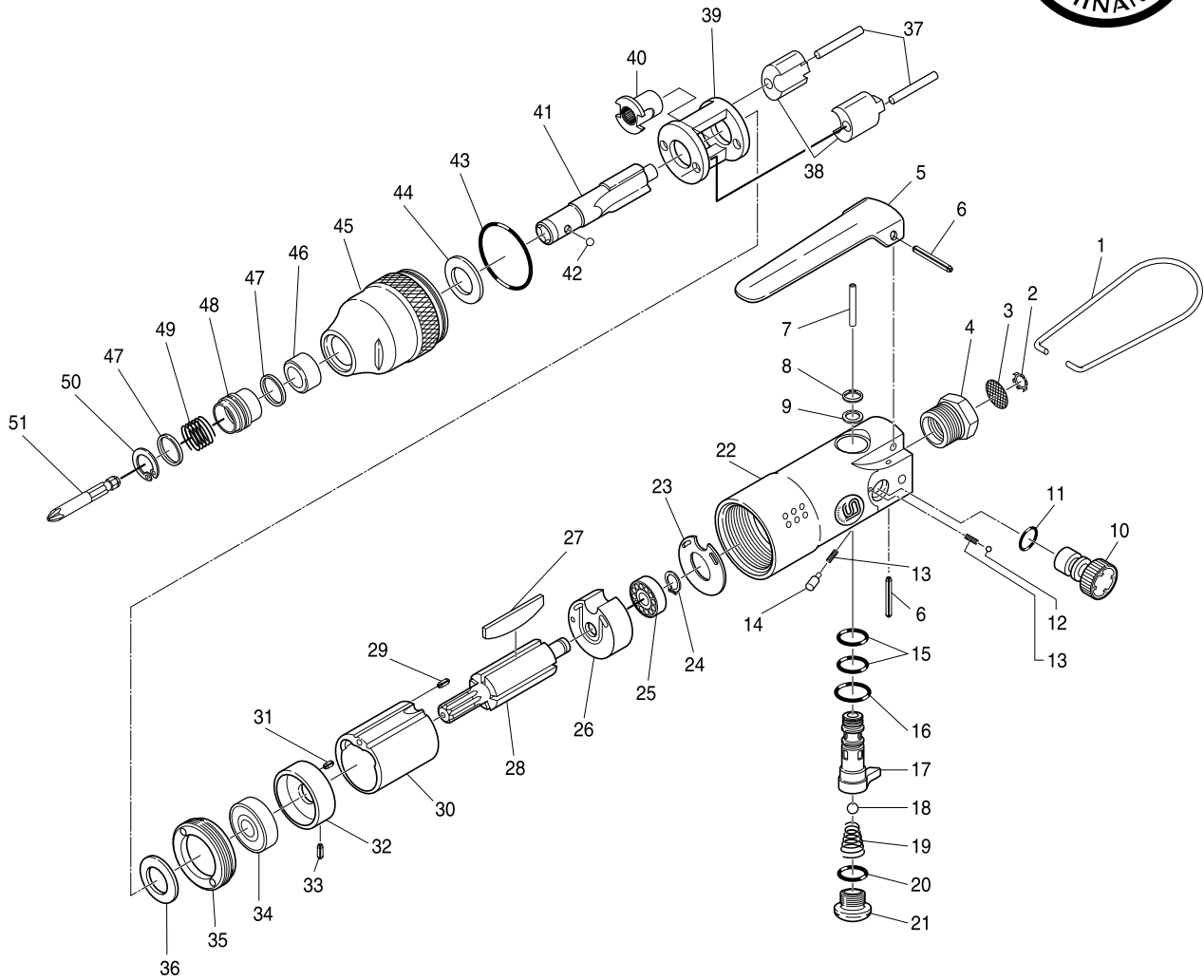


SI-1062

Impact Driver



| Ref. No. | Parts No. | Description | Q'ty | Ref. No. | Parts No. | Description | Q'ty |
|----------|-----------|-------------------|------|----------|-----------|--------------------------------------|------|
| 1 | 982-20 | Hanger | 1 | 27 | 190-1 | Rotor Blade | 5 |
| 2 | CRTW-12 | Retainer | 1 | 28 | 190-21 | Rotor | 1 |
| 3 | 680-28A | Screen | 1 | 29 | 20-12 | Roll Pin(2φ-12mm) | 1 |
| 4 | 670-22 | Inlet Bushing | 1 | 30 | 191-7 | Cylinder | 1 |
| 5 | 350-2 | Throttle Lever | 1 | 31 | 20-8 | Roll Pin(2φ-8mm) | 1 |
| 6 | 30-24 | Roll Pin(3φ-24mm) | 1 | 32 | 190-19 | Front Plate | 1 |
| 7 | 410-2 | Valve Pin | 1 | 33 | 25-5 | Roll Pin(2.5φ-5mm) | 1 |
| 8 | GV-10 | Retaining Ring | 1 | 34 | 608-ZZ | Ball Bearing | 1 |
| 9 | 181-52 | Ret.Washer | 1 | 35 | 190-16 | Lock Nut | 1 |
| 10 | 191A-4 | Air Regulator | 1 | 36 | 190-14 | Spacer | 2 |
| 11 | P-8 | O-Ring | 1 | 37 | 190-11 | Hammer Pin | 2 |
| 12 | SB-1/8 | Steel Ball | 1 | 38 | 190-10 | Hammer Dog | 1 |
| 13 | 450-45 | Spring | 2 | 39 | 190-13 | Hammer Cage | 1 |
| 14 | 670-17 | Reverse Pin | 1 | 40 | 190-12 | Cam | 1 |
| 15 | S-8 | O-Ring | 2 | 41 | 190-9 | 1/4" Hex. Anvil | 1 |
| 16 | S-11.2 | O-Ring | 1 | 42 | SB-3/16 | Steel Ball | 1 |
| 17 | 191A-1 | Reverse Lever | 1 | 43 | S-34 | O-Ring | 1 |
| 18 | NB-1/4 | Valve Ball | 1 | 44 | 190-8 | Anvil Spacer | 1 |
| 19 | 140-6 | Valve Spring | 1 | 45 | 190-6 | Hammer Case incl. Anvil Bush(360-20) | 1 |
| 20 | S-11 | O-Ring | 1 | 46 | 360-20 | Anvil Bush | 2 |
| 21 | 800-14 | Valve Screw | 1 | 47 | 430-52 | Retaining Washer | 1 |
| 22 | 191A-2 | Motor Housing | 1 | 48 | 430-51 | Chuck Sleeve | 1 |
| 23 | 191-8 | Motor Gasket | 1 | 49 | 430-53 | Chuck Sleeve Spring | 1 |
| 24 | JS-6 | Retaining Ring | 1 | 50 | GV-12 | Retaining Ring | 1 |
| 25 | 626 | Ball Bearing | 1 | 51 | 181-51 | +Bit No.2 | 1 |
| 26 | 191-6 | Rear Plate | 1 | | | | |