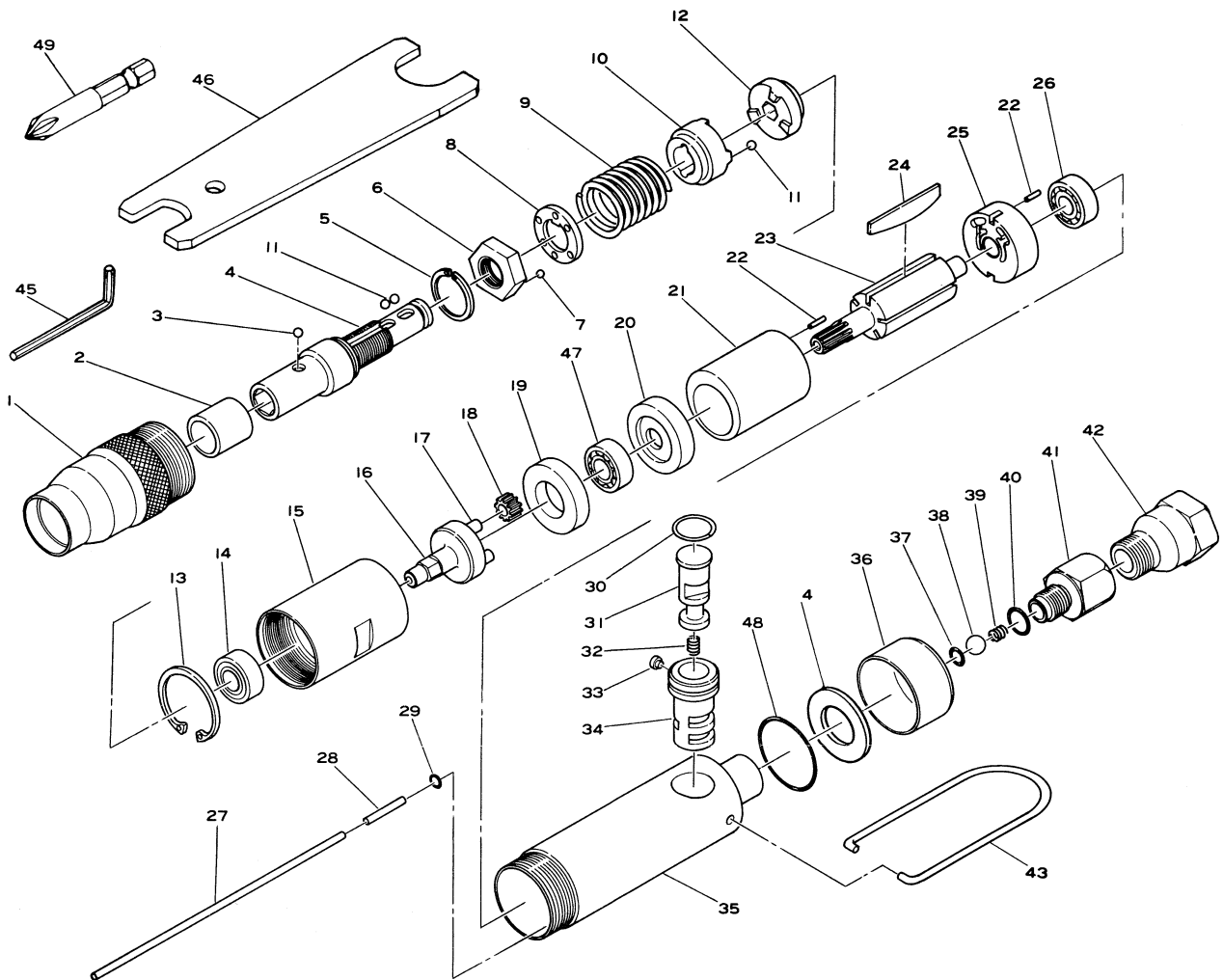


# SI-1130A

## 3mm Screw Driver



Ref. No.	Parts No.	Description	Q'ty	Ref. No.	Parts No.	Description	Q'ty
1	530A-34	Clutch Case	1	26	685	Ball Bearing	1
2	460-34	Ball Retainer	1	27	530A-12	Push Pin	1
3	SB-1/8	Steel Ball	1	28	530A-45	Valve Pin	1
4	530A-33	Work Spindle	1	29	P-2	O-Ring	1
5	GV-12	Retaining Ring	1	30	950-1-1	Retaining Ring	1
6	530A-30	Adjust Nut	1	31	530A-8	Reverse Valve	1
7	SB-20	Steel Ball	3	32	530A-10	Reverse Valve Spring	1
8	530A-32	Adjust Nut Seat	1	33	530A-43	Reverse Valve Pin	1
9	530-26	Clutch Spring	1	34	530A-9	Reverse Bush	1
10	530A-27	Clutch Joe B	1	35	530A-51	Motor Housing	1
11	SB-25	Steel Ball	14	36	530A-7	Deflector	1
12	530A-26	Clutch Joe A	1	37	PA-1516-2	O-Ring	1
13	JO-21	Retaining Ring	1	38	SB-50	Steel Ball	1
14	626-LLU	Ball Bearing	1	39	520-29	Valve Spring	1
15	530A-25	Internal Gear	1	40	P-7	O-Ring	1
16	530A-24	Reduction Spindle incl. Pins (502-32x3)	1	41	530A-1	Inlet Bushing	1
17	502-32	Pin	3	42	460-51	Adaptor	1
18	530A-22	Planet Gear	3	43	530-41	Hanger	1
19	530A-21	Spacer	1	44	530A-50	Muffler	1
20	530A-19	Front Plate	1	45	WRA-1/4	1/4" Allen Wrench	1
21	530A-16	Cylinder	1	46	350-28	Spanner Wrench (14x19mm)	1
22	15-6	Roll Pin (1.5-6mm)	2	47	626	Ball Bearing	1
23	530A-17	Rotor	1	48	314-5	O-Ring	1
24	530-12	Rotor Blade	5	49	181-51	+Bit No.2	1
25	530A-13	Rear Plate	1				