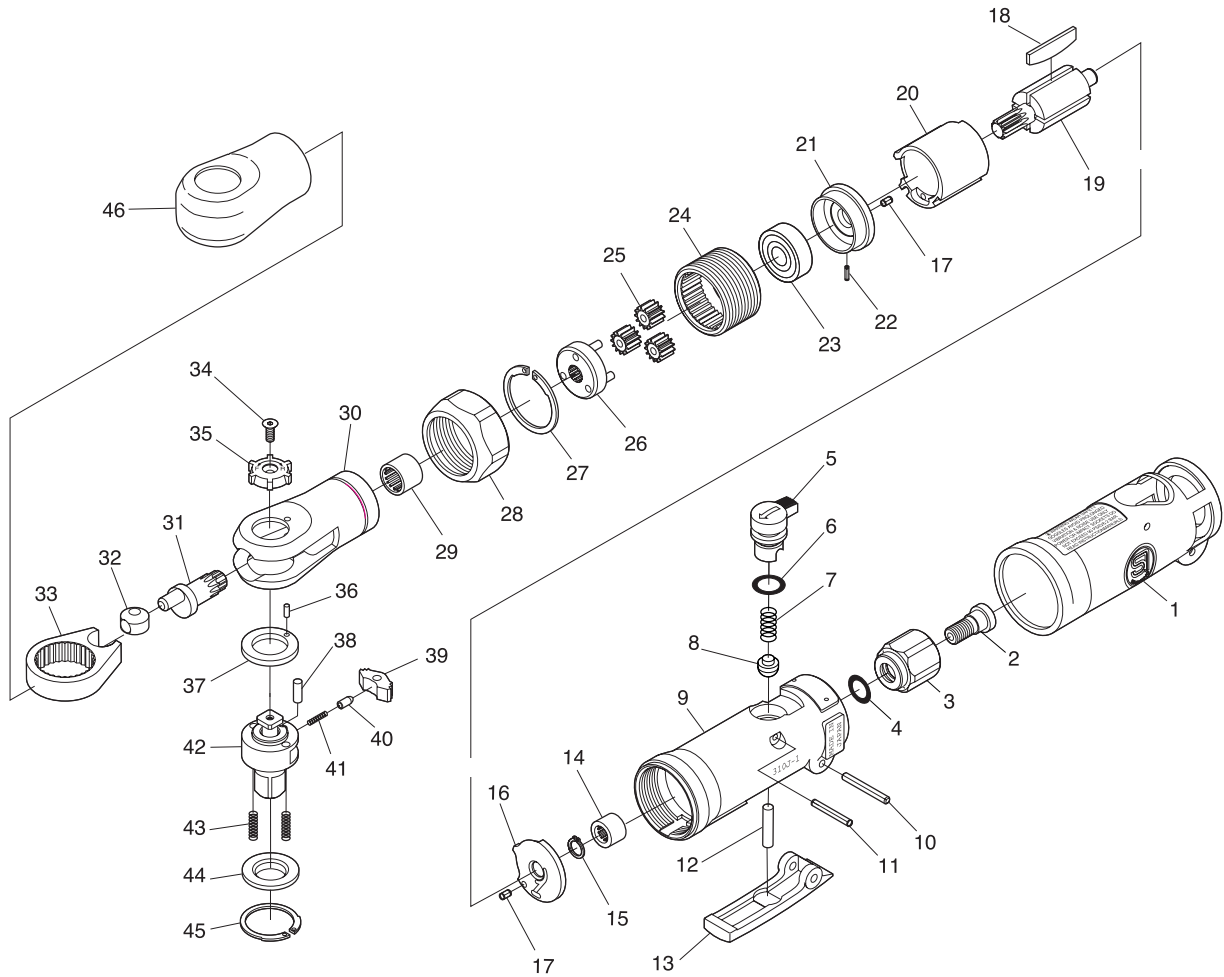


SI-1208Q

3/8" Ratchet Wrench



Ref. No.	Parts No.	Description	Q'ty	Ref. No.	Parts No.	Description	Q'ty
1	310J-2	Housing Cover	1	26	310-2	Planet Cage incl.Planet Pins(310-19×3)	1
2	310G-4B	Retaining Screw	1	27	GV-24	Retaining Ring	1
3	310G-3	Inlet Bushing	1	28	310C-2	Lock Ring	1
4	P-8	O-Ring	1	29	HK0910	Needle Bearing	1
5	315-9A	Air Regulator	1	30	310MT-4	Ratchet Housing	1
6	S-9	O-Ring	1	31	310C-1	Crank Shaft	1
7	670-49	Valve Spring	1	32	310-8	Drive Bushing	1
8	300-10	Valve	1	33	310-3	Yoke	1
9	310J-1	Motor Housing incl.Bush(310-1S)	1	34	Y-M30-60	Counter Sink	1
10	30-24	Roll Pin(3φ-24mm)	1	35	1310-6	Reverse Dial	1
11	25-20	Roll Pin(2.5φ-20mm)	1	36	800B-5B	Stopper Pin	1
12	310-4S	Valve Pin	1	37	310MT-3	Washer	1
13	315-8	Throttle Lever	1	38	310-24	Dowel Pin	1
14	KE-45	Needle Bearing	1	39	310-9A	Ratchet Pawl	1
15	JS-6.35	Retaining Ring	1	40	310-16	Reverse Pin	1
16	310-4	Rear Plate	1	41	310-34	Reverse Spring	1
17	25-4	Roll Pin(2.5φ-4mm)	2	42	310QT-1	3/8" Sq. Anvil incl. Push Pin & Spring (310QT-2,310GL-4)	1
18	330-16	Rotor Blade	4	43	310MT-2	Thrust Washer Spring	2
19	310-11	Rotor	1	44	310S-23	Thrust Washer for 3/8" Sq. Anvil	1
20	330-17	Cylinder	1	45	OV-22	Retaining Ring	1
21	310-5	Front Plate	1	46	310G-5R	Boot	1
22	15-6	Roll Pin(1.5φ-6mm)	1				
23	608-ZZ	Ball Bearing	1				
24	310-21	Internal Gear	1				
25	310-12	Planet Gear	3				