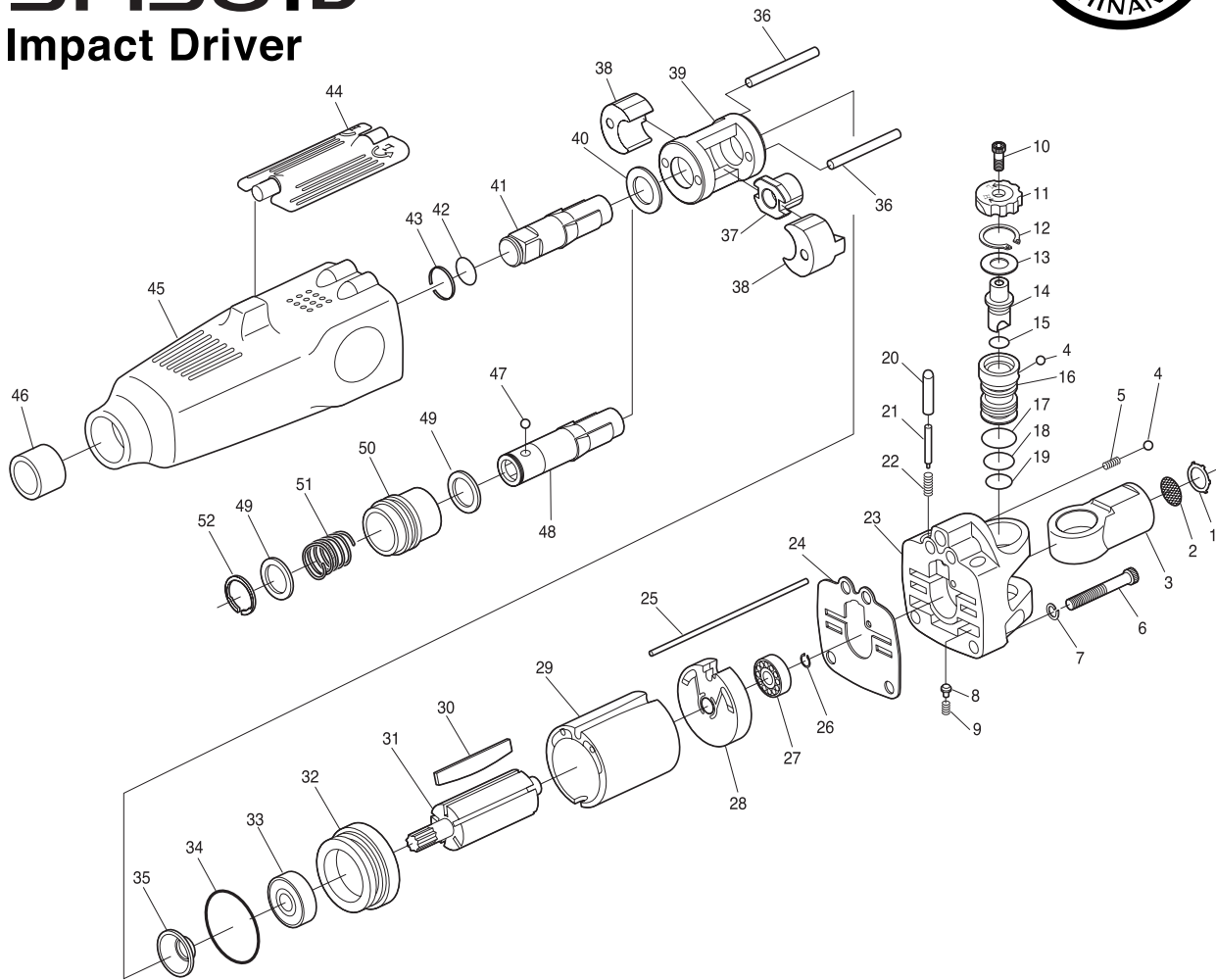


# SI-1301 Impact Wrench

# SI-1301D Impact Driver



Ref. No.	Parts No.	Description	Q'ty	Ref. No.	Parts No.	Description	Q'ty
1	CTRW-12	Retainer	1	27	696-ZZ	Ball Bearing	1
2	680-28A	Screen	1	28	1012-6	Rear Plate	1
3	1012-11	Inlet Bushing	1	29	1012-5	Cylinder	1
4	SB-1/8	Steel Ball	2	30	190-1	Rotor Blade	5
5	450-45	Regulator Spring	1	31	190-21	Rotor	1
6	Z-832-250	Cap Screw	4	32	1012-4	Font Plate	1
7	HSW-40	Washer	4	33	608-ZZ	Ball Bearing	1
8	455-21	Valve	2	34	1091C-20	O-Ring	1
9	1012-16	Valve Spring	2	35	119DP-13A	Rear Washer	1
10	Z-M30---80	Cap Screen	1	36	190-11	Hammer Pin	2
11	456HB-3	Regulator Dial	1	37	190-12	Cam	1
12	JO-15	Retaining Ring	1	38	190-10	Hammer Dog	2
13	1012-13	Washer	1	39	190-13	Hammer Cage	1
14	1012-8	Air Regulator	1	40	190-8	Anvil Spacer	1
15	P-5	O-Ring	1	☆41	1012T-1	3/8" Sq. Anvil	1
16	1012-12	Swivel	1	☆42	450-11	O-Ring	1
17	S-11.2	O-Ring	1	☆43	450-10	Socket Retainer Ring	1
18	S-10	O-Ring	1	44	1012-20S	Throttle Lever	1
19	P-8	O-Ring	1	45	1012-1	Motor Housing	1
20	456-10	Plunger	2	46	119DP-15	Anvil Bushing	1
21	1012-14	Valve Pin	2	★47	SB-3/16	Steel Ball	1
22	1012-15	Plunger Spring	2	★48	190-9B	1/4" Hex. Anvil	1
23	1012-10	Housing Cap	1	★49	430-52	Retaining Washer	2
24	1012-2	Motor Gasket	1	★50	430-51	Chuck Sleeve	1
25	1012-7	Motor Pin	1	★51	430-53	Chuck Sleeve Spring	1
26	JS-6	Retaining Ring	1	★52	GV-12	Retaining Ring	1