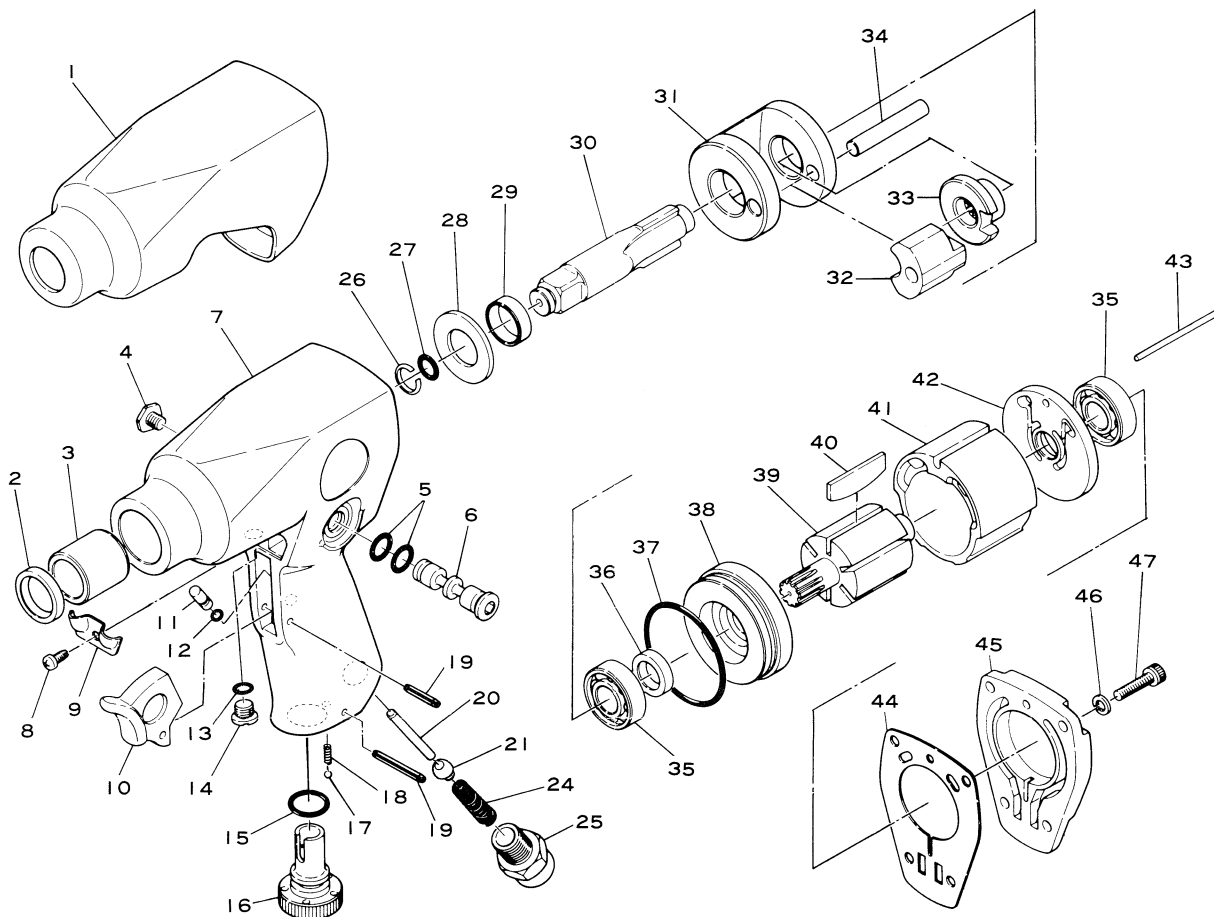


# SI-1405

## 1/2" Sq. Dr. Middle Impact Wrench



Ref. No.	Parts No.	Description	Q'ty	Ref. No.	Parts No.	Description	Q'ty
1	730-48	Housing Cover	1	25	990-26-5	Inlet Bushing	1
2	910-18	Oil Seal	1	26	930-48	Socket Retainer Ring	1
3	910-12	Anvil Bushing	1	27	P-7	O-Ring	1
4	445-26	Reverse Valve Screw	1	28	730-47	Spacer	1
5	P-9	O-Ring	2	29	730-30	Collar	1
6	445-10	Reverse Valve	1	30	730-29	1/2" Sq. Anvil	1
7	730-1	Motor Housing incl. Bushes & Seal (445-2, 445-46, 910-12, 910-18)	1	31	730-31	Hammer Cage	1
8	JBM40-80	Screw	1	32	730-32	Hammer Dog	1
9	730-26	Deflector	1	33	730-34	Cam	1
10	930-19	Trigger	1	34	730-33	Hammer Pin	1
11	440-18	Push Pin	1	35	6001	Ball Bearing	2
12	440-26	Push Pin O-Ring	1	36	910-17	Oil Seal	1
13	P-5	O-Ring	1	37	730-11	O-Ring	1
14	450-29	Plug	1	38	730-43	Front Plate	1
15	P-12	O-Ring	1	39	730-5	Rotor	1
16	930-10	Air Regulator	1	40	730-9	Rotor Blade	6
17	SB-1/8	Steel Ball	1	41	730-44	Cylinder	1
18	450-45	Regulator Spring	1	42	730-42	Rear Plate	1
19	30-20	Roll Pin (3-20mm)	2	43	730-20	Motor Pin	1
20	730-12	Valve Pin	1	44	730-45	Motor Gasket	1
21	930B-12B	Valve	1	45	730-36	Housing Cap	1
24	440-33	Valve Spring	1	46	HSW-50	Washer	4
				47	Z-1024-180	Cap Screw	4