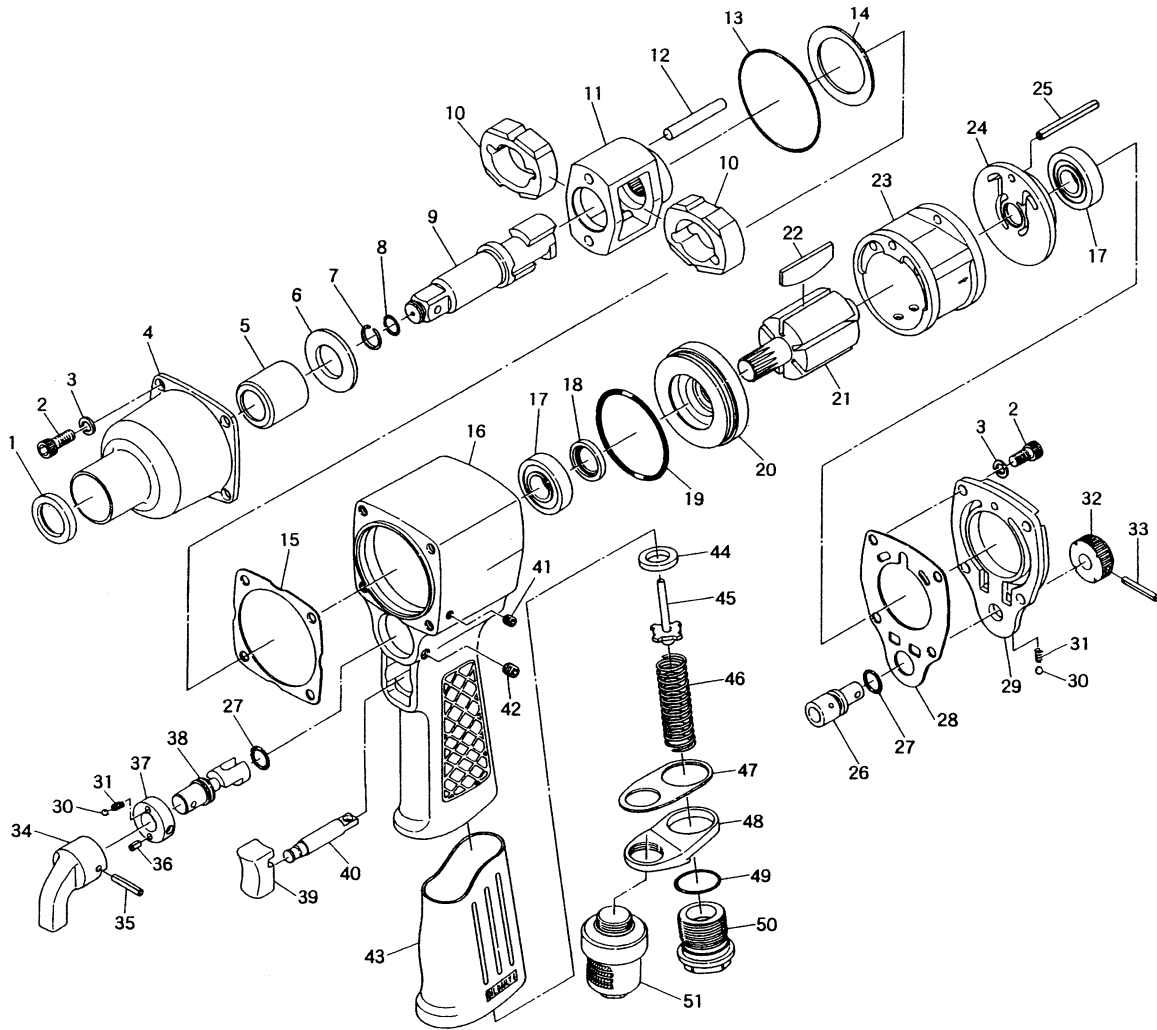


SI-1407T

1/2" Sq. Dr. Impact Wrench



Ref. No.	Parts No.	Description	Q'ty	Ref. No.	Parts No.	Description	Q'ty
1	910-18	Oil Seal	1	26	458-14	Air Regulator	1
2	Z-1024-150	Cap Screw	8	27	P-8	O-Ring	2
3	HSW-50	Washer	8	28	732-7	Motor Gasket	1
4	732-5	Hammer Housing incl. Bush & Oil Seal (910-12, 910-18)	1	29	732-9	Housing Cap	1
5	910-12	Anvil Bushing	1	30	SB-1/8	Steel Ball	2
6	730-47	Spacer	1	31	960-50	Spring	2
7	930-48	Socket Retainer Ring	1	32	911-37	Regulator Dial	1
8	P-7	O-Ring	1	33	30-20	Roll Pin (3-20mm)	1
9	735-1	1/2" Sq. Anvil	1	34	732-11	Reverse Lever	1
10	735-3	Hammer Dog	2	35	30-18	Roll Pin (3-18mm)	1
11	735-2	Hammer Cage	1	36	30-6	Roll Pin (3-6mm)	1
12	735-4	Hammer Pin	2	37	458-25	Spacer	1
13	735-5	O-Ring	1	38	458-21	Reverse Valve	1
14	735-6	Washer	1	39	220-2	Trigger	1
15	732-8	Hammer Housing Gasket	1	40	458-28	Valve Pin	1
16	732-2	Motor Housing incl. Valve Bush & Reverse Bush (458-29, 732-10)	1	41	R-M50-50	Set Screw	1
17	6001	Ball Bearing	2	42	R1-M50-60	Set Screw	1
18	910-17	Oil Seal	1	43	735A-5	Grip Cover	1
19	730-11	O-Ring	1	44	960-34	Valve Seat	1
20	735-7	Front Plate	1	45	960-35A	Valve Assy. incl. Roll Pin (30-32)	1
21	735A-2	Rotor	1	46	991-8	Valve Spring	1
22	735A-4	Rotor Blade	6	47	458-46	Exhaust Gasket	1
23	735A-1	Cylinder	1	48	732-12	Exhaust Retainer	1
24	735A-3	Rear Plate	1	49	991-7	O-Ring	1
25	730-20	Motor Pin	1	50	991-5	Inlet Bushing	1
				51	911-51	Muffler w/Cover & O-Ring	1