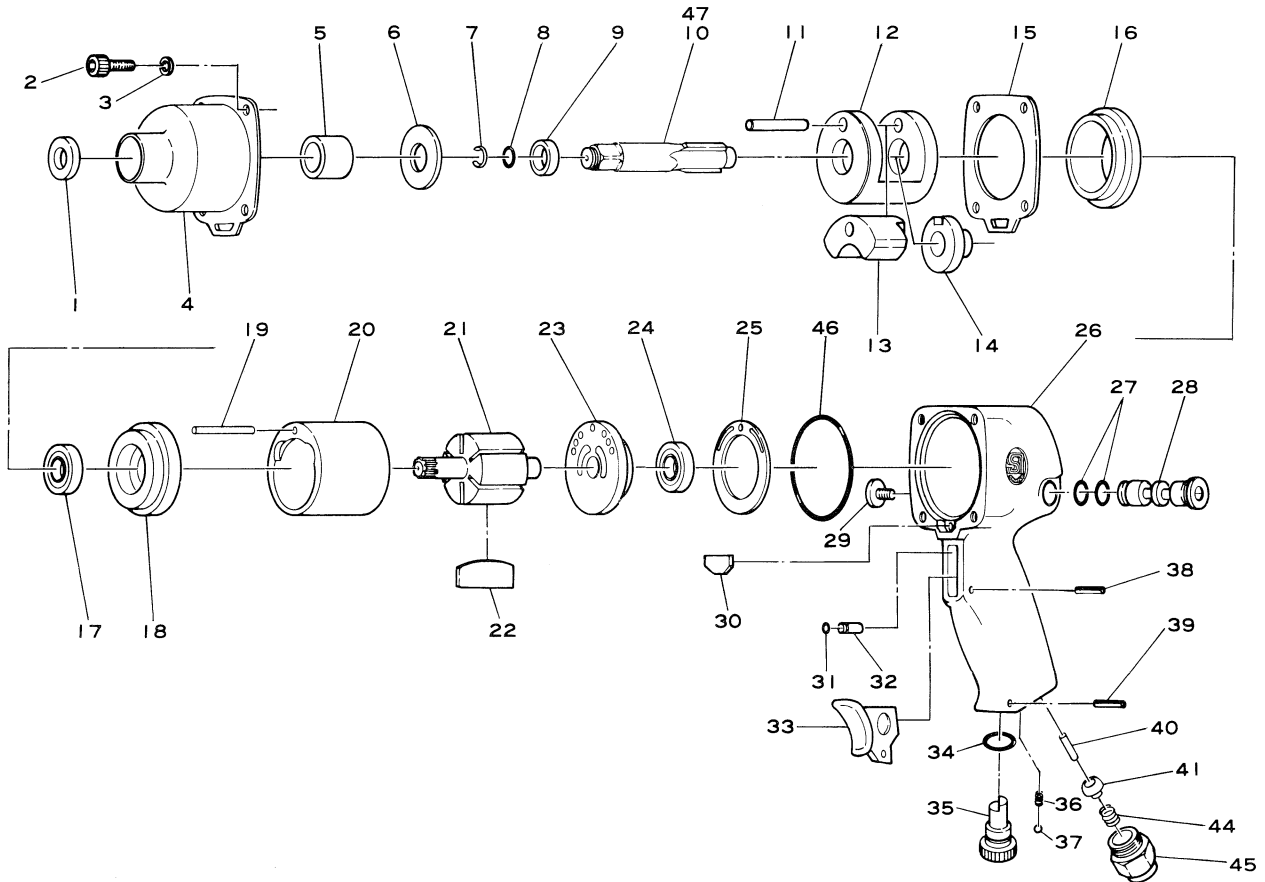


SI-1420B

1/2" Sq. Impact Wrench

SI-1422B

Long Anvil 1/2" Sq. Impact Wrench



Ref. No.	Parts No.	Description	Q'ty	Ref. No.	Parts No.	Description	Q'ty
1	910-18	Oil Seal	1	24	6201	Ball Bearing	1
2	Z-1024-180	Cap Screw	4	25	930-15	Motor Gasket	1
3	HSW-50	Washer	4	26	930-1SI	Motor Housing incl. Bush & Steel Ball (930-9,SB-8)	1
4	930-2	Hammer Housing incl. Bush & Oil Seal (910-18,910-12)	1	27	930-52	O-Ring	2
5	910-12	Anvil Bushing	1	28	930-7	Reverse Valve	1
6	910-16	Spacer	1	29	930-8	Reverse Valve Screw	1
7	930-48	Socket Retainer Ring	1	30	930-20	Deflector	1
8	P-7	O-Ring	1	31	440-26	Push Pin O-Ring	1
9	910-47	Collar	1	32	440-18	Push Pin	1
10	910-39	1/2" Sq. Anvil	1	33	930B-10	Trigger	1
11	910-45	Hammer Pin	1	34	P-12	O-Ring	1
12	910-43	Hammer Cage	1	35	930-10	Air Regulator	1
13	910-44	Hammer Dog	1	36	450-45	Regulator Spring	1
14	930B-6	Cam	1	37	SB-1/8	Steel Ball	1
15	930-45	Hammer Housing Gasket	1	38	30-18	Roll Pin (3-18mm)	1
16	930-22	Hammer Cage Spacer	1	39	30-20	Roll Pin (3-20mm)	1
17	6202	Ball Bearing	1	40	930-12	Valve Pin	1
18	930B-4	Front Plate	1	41	930B-12B	Valve	1
19	910-21	Motor Pin	1	44	440-33	Valve Spring	1
20	930B-1	Cylinder	1	45	990-26-5	Inlet Bushing	1
21	930B-2	Rotor	1	46	930B-15	O-Ring	1
22	930B-3	Rotor Blade	6	★47	910-40	1/2" Sq. Long Anvil	1
23	930B-5	Rear Plate	1	*48	930B-12	Housing Cover (Optional)	

* Not Shown
★ For SI-1422B