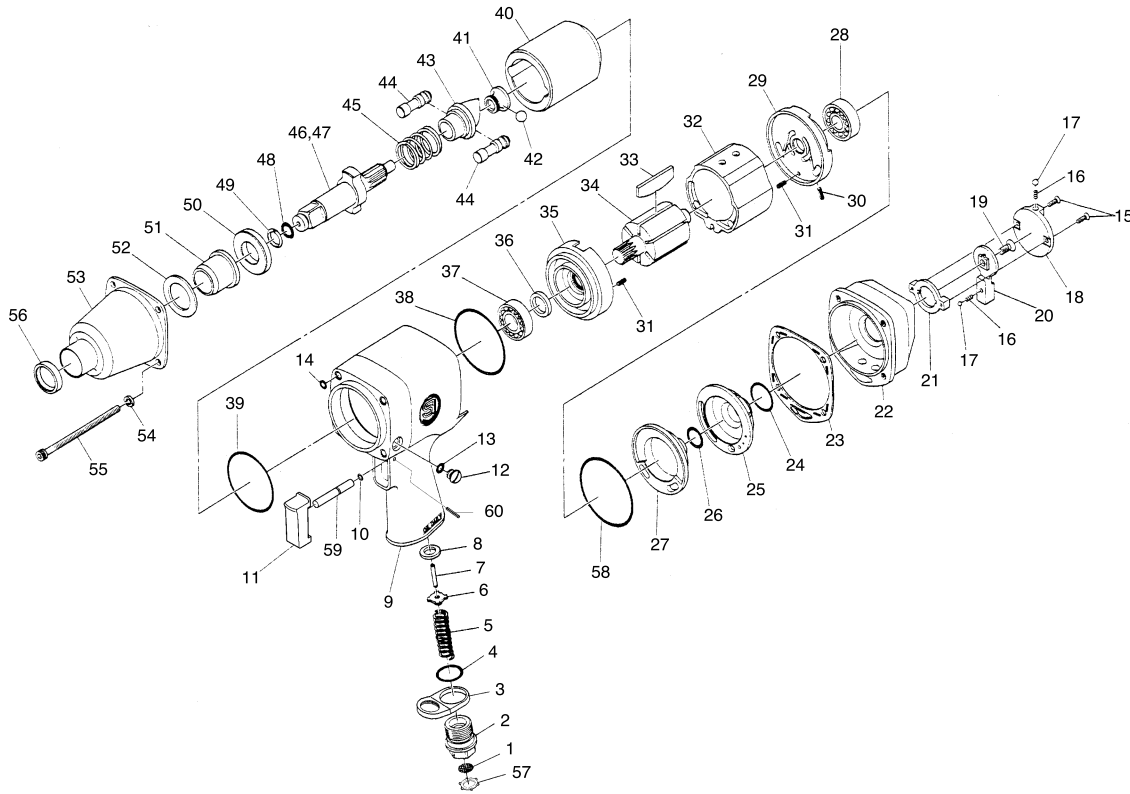


SI-1480

1/2" Sq. Dr. Impact Wrench

SI-1482

Long Anvil 1/2" Sq. Dr. Impact Wrench



Ref. No.	Parts No.	Description	Q'ty	Ref. No.	Parts No.	Description	Q'ty
1	680-28A	Screen	1	32	930B-1	Cylinder	1
2	991-5	Inlet Bushing	1	33	911A-18	Rotor Blade	6
3	911P-11	Deflector	1	34	930B-2	Rotor	1
4	991-7	O-Ring	1	35	911P-3	Front Plate	1
5	911P-14	Valve Spring	1	36	961-16	Oil Seal	1
6	960-35	Valve	1	37	6002	Ball Bearing	1
7	30-32	Roll Pin(3φ-32mm)	1	38	S-55	O-Ring	1
8	960-34	Valve Seat	1	39	911-15	O-Ring	1
9	911P-1ADB	Motor Housing	1	40	911B-1	Hammer Cage	1
10	216-6	O-Ring	1	41	911-2	Pilot	1
11	456GP-15	Trigger	1	42	911-3	Steel Ball	1
12	450-29	Plug	1	43	911-5	Cam	1
13	P-5	O-Ring	1	44	911-4	Hammer Pin	2
14	S-5	O-Ring	4	45	911-6	Cam Spring	1
15	911P-13	Screw	2	46	911-7	1/2"Sq. Anvil	1
16	670-40	Spring	2	★47	911-7L	1/2"Sq. Long Anvil	1
17	SB-3/16	Steel Ball	2	48	P-8	O-Ring	1
18	911P-9	Regulator Dial	1	49	911-8	Socket Retainer Ring	1
19	NBM50-120	Screw	1	50	911-9	Anvil Spacer	1
20	911P-7Y	Reverse Lever	1	51	911-10	Anvil Bushing	1
21	911P-8	Reverse Lever Holder	1	52	911-54	Spacer	1
22	911P-2	Housing Cap	1	53	911P-15	Clutch Housing incl. Bush, Seal & Spacer (911-10, 911-12, 911-54)	1
23	911P-10	Motor Gasket	1	54	HSW-50	Washer	4
24	620-28	O-Ring	1	55	Z-M50-870	Cap Screw	4
25	911P-6A	Regulator Valve	1	56	911-12	Oil Seal	1
26	S-14	O-Ring	1	57	CRTW-12	Retainer	1
27	911P-5	Reverse Valve	1	58	911P-23	O-Ring	1
28	6201	Ball Bearing	1	59	456GP-14	Valve Shaft	1
29	911P-4	Rear Plate	1	60	25-20	Roll Pin(2.5φ-20mm)	1
30	30-11	Roll Pin(3φ-11mm)	1				
31	30-8	Roll Pin(3φ-8mm)	2				