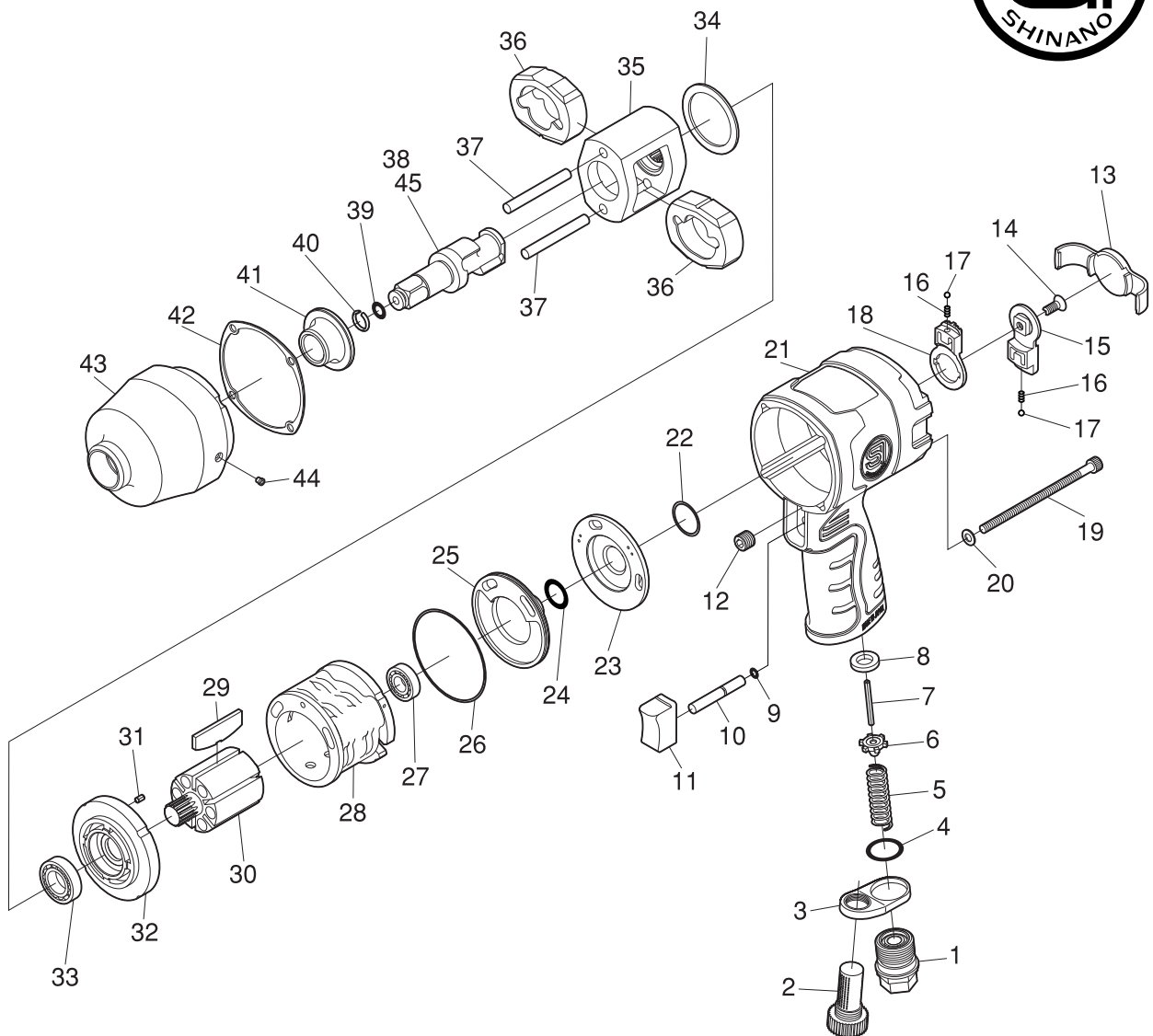


SI-1490

1/2" Sq. Dr. Impact Wrench



Ref. No.	Parts No.	Description	Q'ty	Ref. No.	Parts No.	Description	Q'ty
1	911P-20D	Inlet Bushing	1	25	913-7	Reverse Valve	1
2	911P-25	Muffler	1	26	911P-23A	O-Ring	1
3	911A-15	Muffler Retainer	1	27	6900	Ball Bearing	1
4	991-7	O-Ring	1	28	913-3	Cylinder	1
5	911P-14	Valve Spring	1	29	913-18	Rotor Blade	6
6	960-35	Valve	1	30	913-13	Rotor	1
7	30-32	Roll Pin(3 φ -32mm)	1	31	30-5	Roll Pin(3 φ -5mm)	1
8	960-34	Valve Seat	1	32	913-4	Front Plate	1
9	216-6	O-Ring	1	33	6902	Ball Bearing	1
10	456GP-14	Valve Shaft	1	34	913-12	Spacer	1
11	913-11R	Trigger	1	35	935AT-3	Hammer Cage	1
12	ROM100---80	Set Screw	1	36	935AT-5	Hammer Dog	2
13	913-2	Rear Cover	1	37	935AT-6	Hammer Pin	2
14	NBM50--120	Screw	1	38	935AT-4	1/2" Sq. Anvil	1
15	913-8R	Reverse Lever	1	39	P-7	O-Ring	1
16	960-50	Spring	2	40	930-48	Socket Retainer Ring	1
17	SB-1/8	Steel Ball	2	41	935AT-2	Anvil Bushing	1
18	913-6Y	Regulator Lever	1	42	913-10R	Gasket	1
19	Z-M50--920	Cap Screw	4	43	913-9A	Clutch Housing incl. Anvil Bushing	1
20	PWO-50	Washer	4	44	1071C-16	Grease Plug	1
21	913-1	Motor Housing	1	◆45	935AT-4L	1/2" Sq. Long Anvil	
22	S-20	O-Ring	1				
23	913-5	Regulator Valve	1				
24	S-14	O-Ring	1				