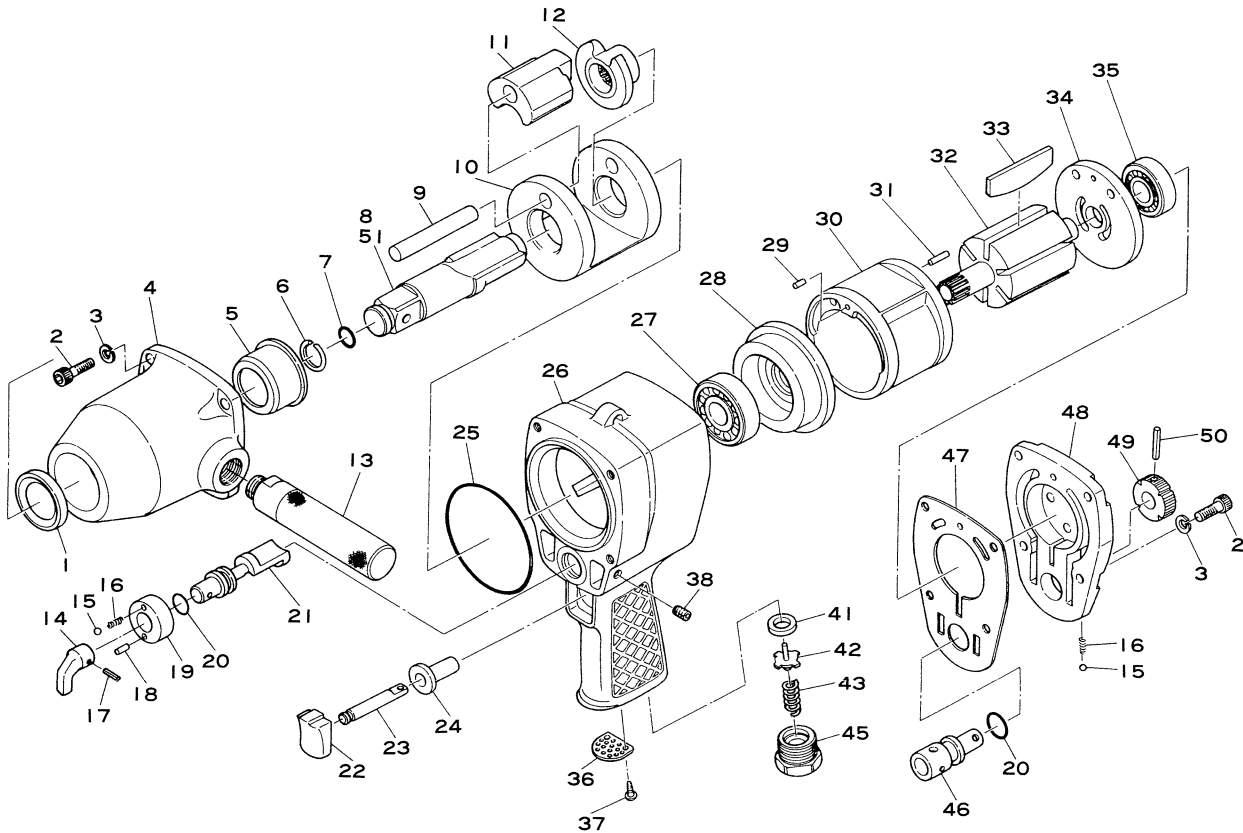


SI-1520B

3/4" Sq. Pistol Grip Impact Wrench

SI-1526B

Long Anvil 3/4" Sq. Pistol Grip Impact Wrench



Ref. No.	Parts No.	Description	Q'ty	Ref. No.	Parts No.	Description	Q'ty
1	960-2	Oil Seal	1	26	960A-2	Motor Housing incl. Bushes & Valve Seat Receiver (960A-3, 960-30, 960-36)	1
2	Z-M60-200	Cap Screw	8	27	6302	Ball Bearing	1
3	HSW-60	Washer	8	28	960-17	Front Plate	1
4	960A-1	Hammer Case incl. Bush & Oil Seal (960-6, 960-2)	1	29	30-8	Roll Pin (3-8mm)	1
5	960-6	Anvil Bush	1	30	960-21	Cylinder	1
6	960-7	Socket Retainer Ring	1	31	30-15	Roll Pin (3-15mm)	1
7	P-12	O-Ring	1	32	960-19	Rotor	1
8	960-9	Anvil	1	33	960-20	Rotor Blade	6
9	960-11	Hammer Pin	1	34	960-45	Rear Plate	1
10	960-10	Hammer Cage	1	35	6202	Ball Bearing	1
11	960-12	Hammer Dog	1	36	960-38	Deflector	1
12	960-13	Hammer Cam	1	37	JBM40-80	Screw	2
13	960-54	Dead Handle	1	38	R1-M50-60	Set Screw	1
14	960-57	Reverse Lever	1	41	960-34	Valve Seat	1
15	SB-1/8	Steel Ball	2	42	960-35A	Valve Assy. incl. Roll Pin (30-32)	1
16	960-50	Spring	2	43	991-8	Valve Spring	1
17	30-18	Roll Pin (3-18mm)	1	45	960-51	Inlet Bushing	1
18	30-6	Roll Pin (3-6mm)	1	46	960A-7	Regulator	1
19	960A-6	Reverse Valve Retainer	1	47	960-23	Motor Gasket	1
20	P-11	O-Ring	2	48	960A-4	Housing Cap	1
21	960A-5	Reverse Valve	1	49	960A-8	Regulator Dial	1
22	960-29	Trigger Button	1	50	30-22	Roll Pin (3-22mm)	1
23	960-33	Valve Pin	1	★51	960-60	Long Anvil for SI-1526B	1
24	960-30	Valve Pin Bush	1	*◆52	960-55	Housing Cover	
25	960-14	O-Ring	1				

* Not Shown ★ For SI-1526B only
◆ Option

Printed in Japan
★★★ Mar. 1999