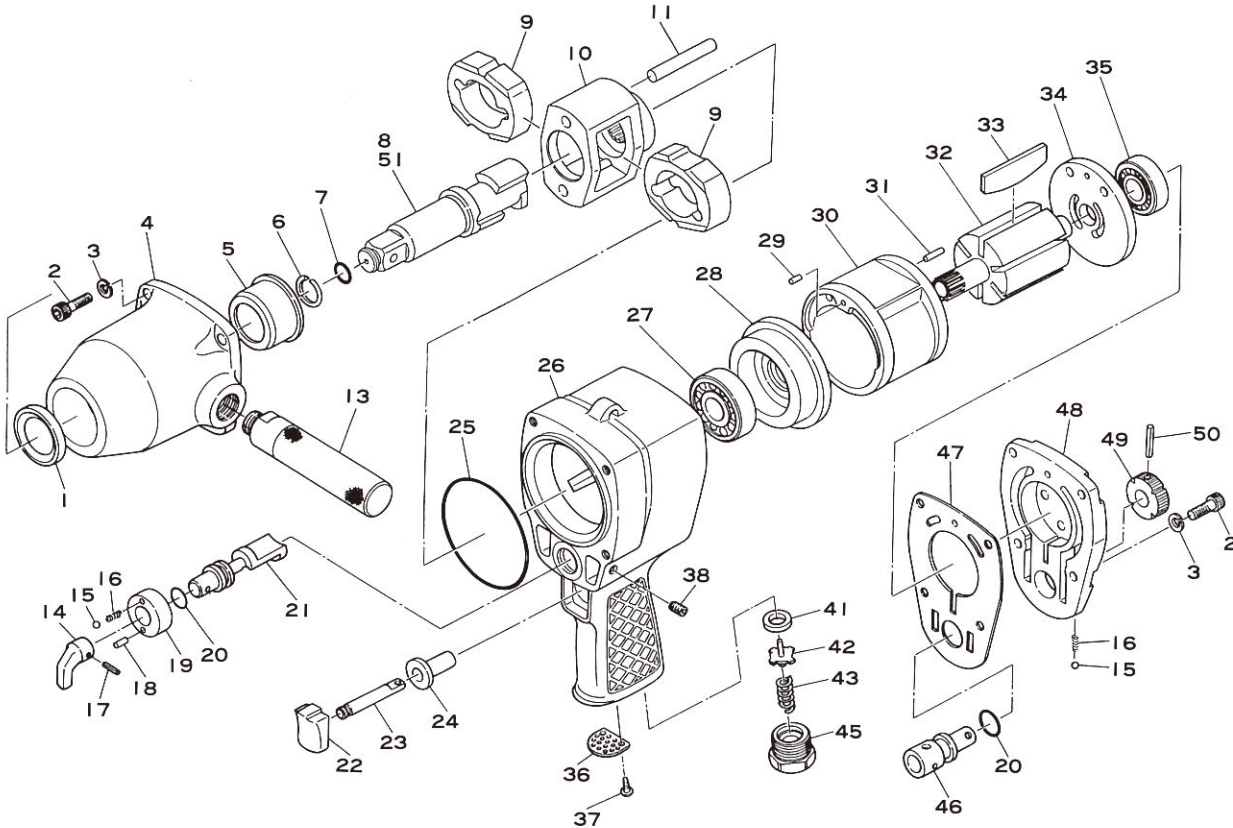


# SI-1530T

## 3/4" Sq. Twin Hammer Impact Wrench

# SI-1536T

## Long Anvil 3/4" Sq. Twin Hammer Impact Wrench



Ref. No.	Parts No.	Description	Q'ty	Ref. No.	Parts No.	Description	Q'ty
1	960-2	Oil Seal	1	26	960A-2	Motor Housing incl. Bushes & Valve Seat Receiver (960A-3,960-30,960-36)	1
2	Z-M60-200	Cap Screw	8	27	6303	Ball Bearing	1
3	HSW-60	Washer	8	28	965-5	Front Plate	1
4	960A-1	Hammer Housing incl. Bush & Oil Seal (960-6,960-2)	1	29	30-8	Roll Pin (3-8mm)	1
5	960-6	Anvil Bushing	1	30	960-21	Cylinder	1
6	960-7	Socket Retainer Ring	1	31	30-15	Roll Pin (3-15mm)	1
7	P-12	O-Ring	1	32	965-6A	Rotor	1
8	965-3	Anvil	1	33	960-20A	Rotor Blade	6
9	965-1	Hammer Dog	2	34	960-45	Rear Plate	1
10	965-4	Hammer Cage	1	35	6202	Ball Bearing	1
11	965-2	Hammer Pin	2	36	960-38	Deflector	1
13	960-54	Dead Handle	1	37	JBM40-100	Screw	2
14	960-57	Reverse Lever	1	38	R1-M50-60	Set Screw	1
15	SB-1/8	Steel Ball	2	41	960-34	Valve Seat	1
16	960-50	Spring	2	42	960-35A	Valve Assy. incl. Roll Pin (30-32)	1
17	30-18	Roll Pin (3-18mm)	1	43	991-8	Valve Spring	1
18	30-6	Roll Pin (3-6mm)	1	45	960-51	Inlet Bushing	1
19	960A-6	Reverse Valve Retainer	1	46	960A-7	Regulator	1
20	P-11	O-Ring	2	47	960-23	Motor Gasket	1
21	960A-5	Reverse Valve	1	48	960A-4	Housing Cap	1
22	960-29	Trigger Button	1	49	960A-8	Regulator Dial	1
23	960-33	Valve Pin	1	50	30-22	Roll Pin (3-22mm)	1
24	960-30	Valve Pin Bush	1	★51	965-3L	Long Anvil for SI-1536T	1
25	960-14	O-Ring	1	*◆52	960-55	Housing Cover	