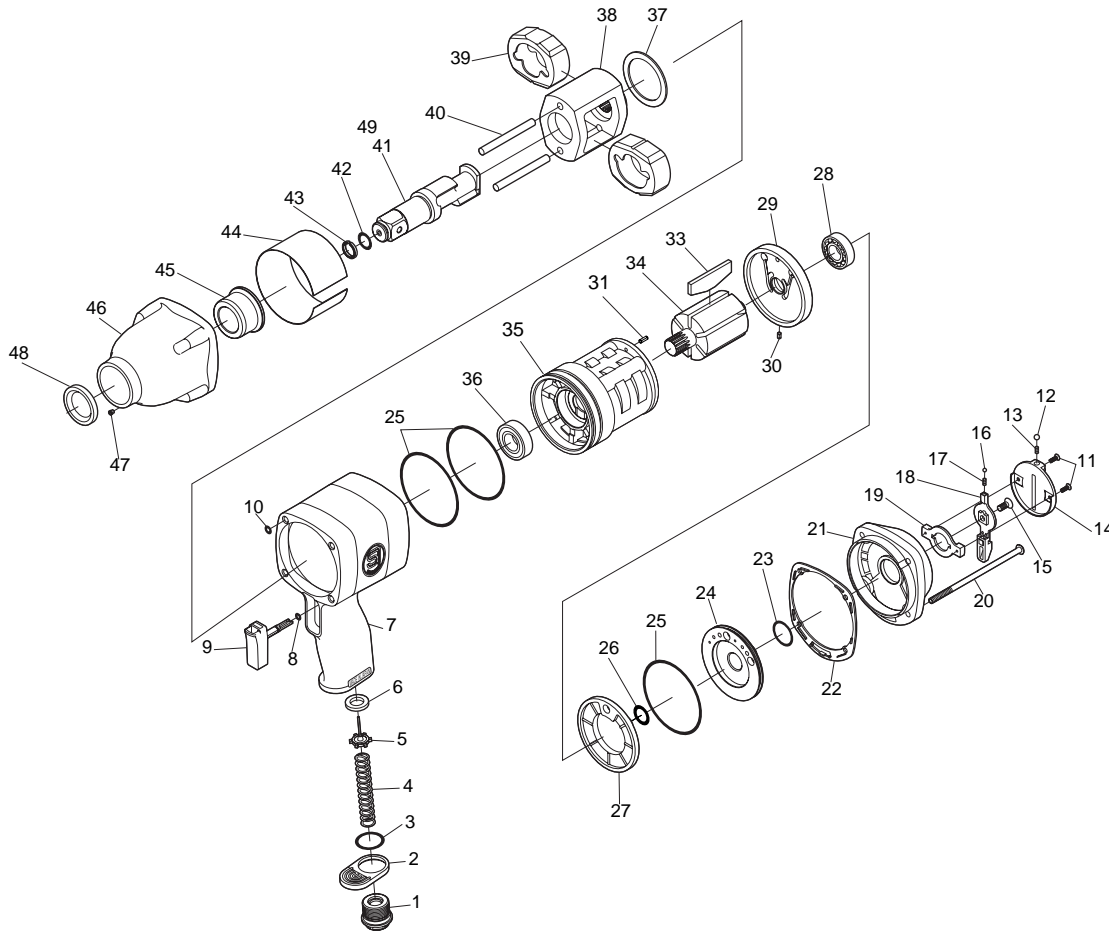


SI-1540T

3/4" Sq. Dr. Impact Wrench

SI-1546T

Long Anvil 3/4" Sq. Dr. Impact Wrench



Ref. No.	Parts No.	Description	Q'ty	Ref. No.	Parts No.	Description	Q'ty
1	966-6	Inlet Bushing	1	26	S-14	O-Ring	1
2	966-5	Deflector	1	27	966-13	Reverse Valve	1
3	S-22.4	O-Ring	1	28	6002	Ball Bearing	1
4	911P-14	Valve Spring	1	29	966-9	Rear Plate	1
5	966-11	Valve	1	30	30-5	Roll Pin(3φ -5mm)	1
6	1071C-20	Valve Seat	1	31	30-8	Roll Pin(3φ -8mm)	1
7	966-1R	Motor Housing	1	33	960-20A	Rotor Blade	6
8	216-6	O-Ring	1	34	966-21	Rotor	1
9	966-7	Trigger	1	35	966-19	Cylinder Unit	1
10	S-5	O-Ring	4	36	6003-Z	Ball Bearing	1
11	NBM30-80	Screw	2	37	966-22	Washer	1
12	SB-3/16	Steel Ball	1	38	965-4	Hammer Cage	1
13	670-40	Spring	1	39	965-1	Hammer Dog	2
14	966-4	Regulator Dial	1	40	965-2	Hammer Pin	2
15	NBM50-120	Screw	1	41	965-3	3/4" Sq. Anvil	1
16	SB-1/8	Steel Ball	1	42	P-12	O-Ring	1
17	960-50	Spring	1	43	960-7	Socket Retainer Ring	1
18	966-14	Reverse Lever	1	44	966-17	Support Collar	1
19	966-15	Reverse Lever Holder	1	45	960-6	Anvil Bushing	1
20	AZM50-1150	Screw	4	46	966-12	Clutch Housing incl. Anvil Bushing & Oil Seal(960-6,960-2)	1
21	966-2	Housing Cap	1	47	1071C-16	Grease Plug	1
22	966-10	Motor Gasket	1	48	960-2	Oil Seal	1
23	S-22	O-Ring	1	★49	965-3L	3/4" Sq. Long Anvil	1
24	966-3A	Regulator Valve	1				
25	S-70	O-Ring	3				