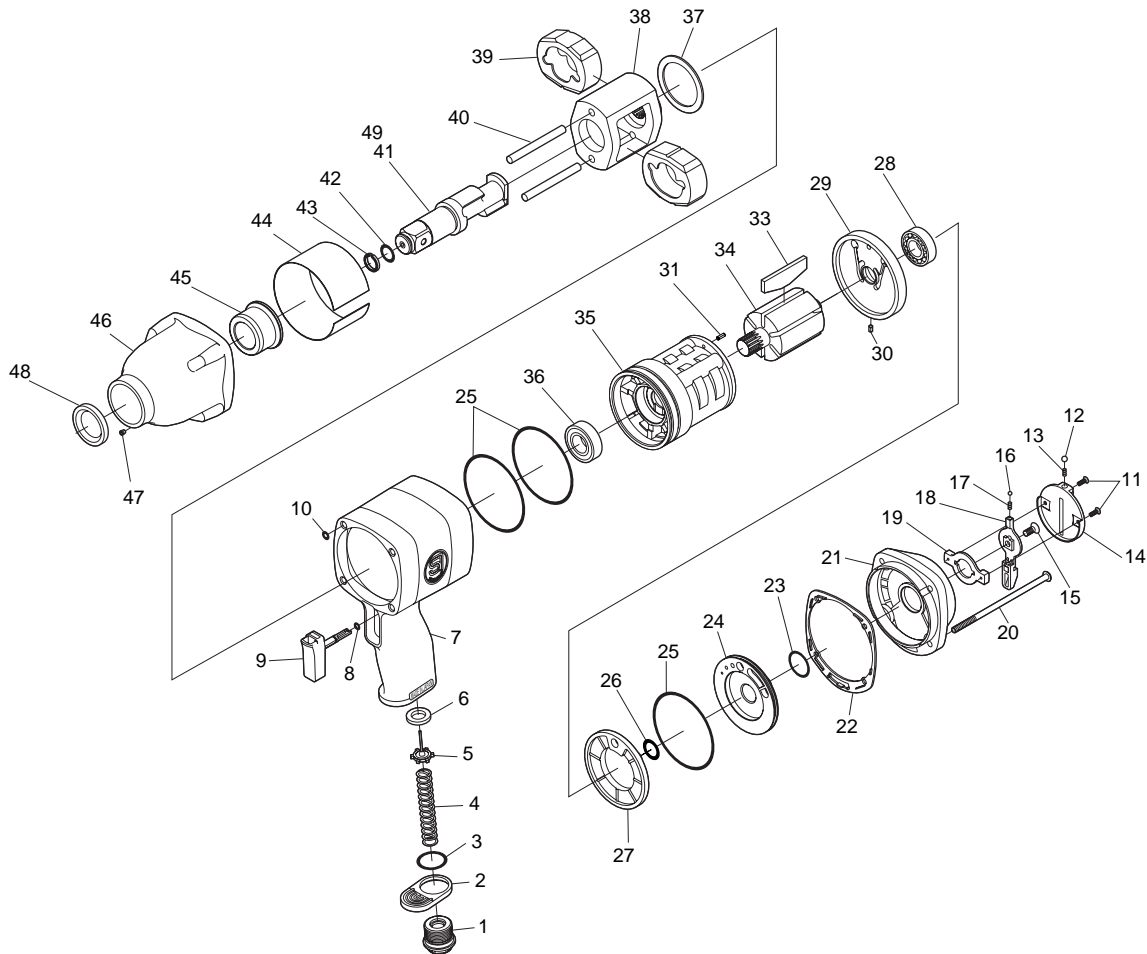


SI-1540TSR

3/4" Sq. Dr. Impact Wrench

SI-1546TSR

Long Anvil 3/4" Sq. Dr. Impact Wrench



| Ref. No. | Parts No. | Description | Q'ty | Ref. No. | Parts No. | Description | Q'ty |
|----------|------------|----------------------|------|----------|-----------|--|------|
| 1 | 966-6 | Inlet Bushing | 1 | 26 | S-14 | O-Ring | 1 |
| 2 | 966-5 | Deflector | 1 | 27 | 966-13 | Reverse Valve | 1 |
| 3 | S-22.4 | O-Ring | 1 | 28 | 6002 | Ball Bearing | 1 |
| 4 | 911P-14 | Valve Spring | 1 | 29 | 966-9 | Rear Plate | 1 |
| 5 | 966-11 | Valve | 1 | 30 | 30-5 | Roll Pin(3φ -5mm) | 1 |
| 6 | 1071C-20 | Valve Seat | 1 | 31 | 30-8 | Roll Pin(3φ -8mm) | 1 |
| 7 | 966-1 | Motor Housing | 1 | 33 | 960-20A | Rotor Blade | 6 |
| 8 | 216-6 | O-Ring | 1 | 34 | 966-21 | Rotor | 1 |
| 9 | 966-7 | Trigger | 1 | 35 | 966-19 | Cylinder Unit | 1 |
| 10 | S-5 | O-Ring | 4 | 36 | 6003-Z | Ball Bearing | 1 |
| 11 | NBM30-80 | Screw | 2 | 37 | 966-22 | Washer | 1 |
| 12 | SB-3/16 | Steel Ball | 1 | 38 | 965-4 | Hammer Cage | 1 |
| 13 | 670-40 | Spring | 1 | 39 | 965-1 | Hammer Dog | 2 |
| 14 | 966-4 | Regulator Dial | 1 | 40 | 965-2 | Hammer Pin | 2 |
| 15 | NBM50-120 | Screw | 1 | 41 | 965-3 | 3/4" Sq. Anvil | 1 |
| 16 | SB-1/8 | Steel Ball | 1 | 42 | P-12 | O-Ring | 1 |
| 17 | 960-50 | Spring | 1 | 43 | 960-7 | Socket Retainer Ring | 1 |
| 18 | 966-14 | Reverse Lever | 1 | 44 | 966-17 | Support Collar | 1 |
| 19 | 966-15 | Reverse Lever Holder | 1 | 45 | 960-6 | Anvil Bushing | 1 |
| 20 | AZM50-1150 | Screw | 4 | 46 | 966-12 | Clutch Housing incl. Anvil Bushing & Oil Seal(960-6,960-2) | 1 |
| 21 | 966-2 | Housing Cap | 1 | 47 | 1071C-16 | Grease Plug | 1 |
| 22 | 966-10 | Motor Gasket | 1 | 48 | 960-2 | Oil Seal | 1 |
| 23 | S-22 | O-Ring | 1 | ★49 | 965-3L | 3/4" Sq. Long Anvil | 1 |
| 24 | 966-3 | Regulator Valve | 1 | | | | |
| 25 | S-70 | O-Ring | 3 | | | | |