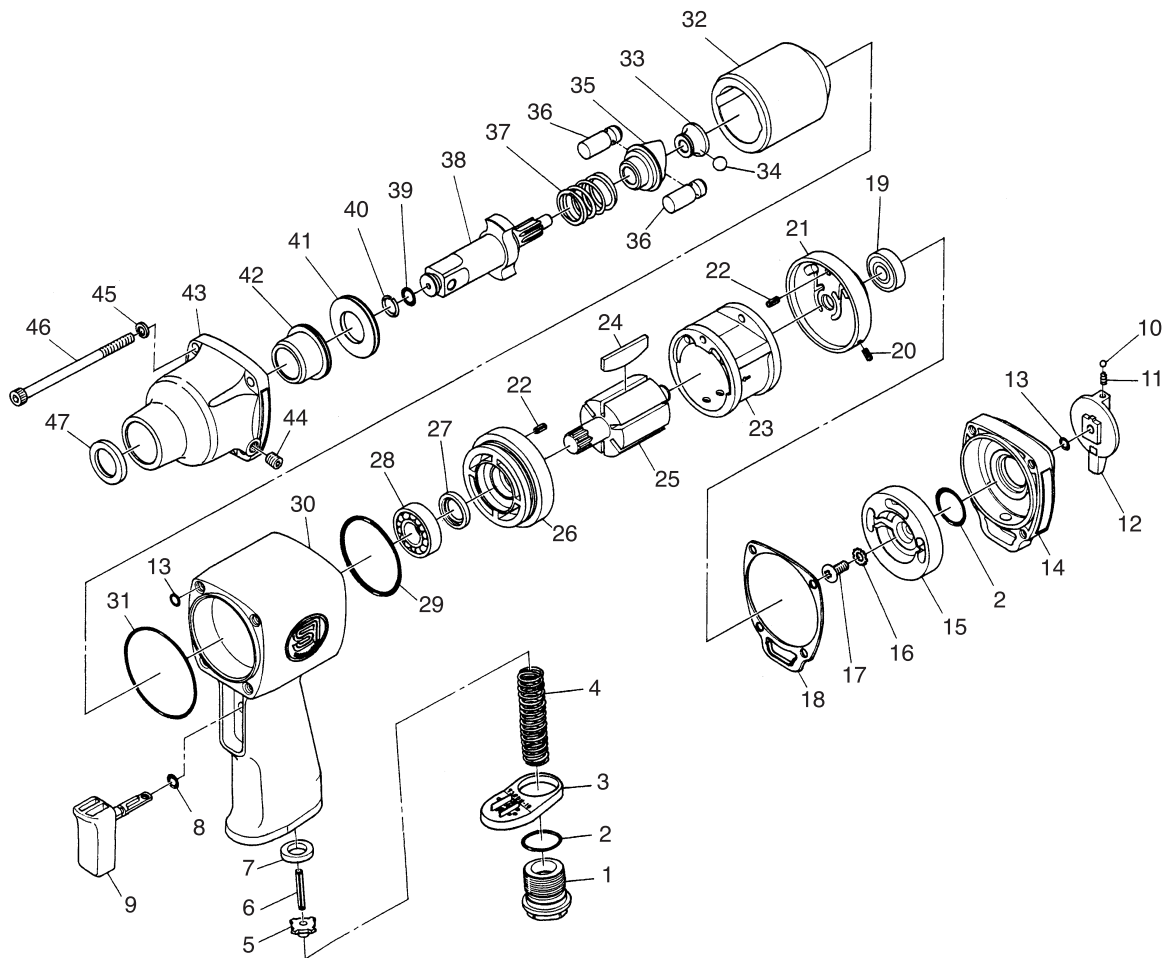


# SI-1650X

## 1/2" Impact Wrench



Ref. No.	Parts No.	Description	Q'ty	Ref. No.	Parts No.	Description	Q'ty
1	991-5	Inlet Bushing	1	26	736-7A	Front Plate	1
2	991-7	O-Ring	2	27	910-17	Oil Seal	1
3	736DH-10	Deflector	1	28	6001	Ball Bearing	1
4	736-15	Valve Spring	1	29	730-11	O-Ring	1
5	960-35	Valve	1	30	736-1DB	Motor Housing	1
6	30-36	Roll Pin(3φ-36mm)	1	31	735-5	O-Ring	1
7	960-34	Valve Seat	1	32	736DH-2	Hammer Cage	1
8	216-6	O-Ring	1	33	736DH-9	Pilot	1
9	736-9	Trigger	1	34	SB-9/32	Steel Ball	1
10	SB-1/8	Steel Ball	1	35	736DH-8	Cam	1
11	960-50	Spring	1	36	736DH-3	Hammer Pin	2
12	736-10	Reverse Lever	1	37	736DH-4	Cam Spring	1
13	S-5	O-Ring	5	38	736DH-5	1/2"Sq.Anvil	1
14	736DH-11	Housing Cap	1	39	P-6	O-Ring	1
15	736-3	Reverse Valve	1	40	930-48	Socket Retainer Ring	1
16	BT-50	Washer	1	41	736DH-6	Anvil Spacer	1
17	PBM50-100	Screw	1	42	736DH-1	Anvil Bushing	1
18	736-4A	Motor Gasket	1	43	736DH-7	Clutch Housing incl. Bush&Spacer(736DH-1,736DH-6)	1
19	608-ZZ	Ball Bearing	1	44	PTN-1/6	Plug	1
20	30-5	Roll Pin(3φ-5mm)	1	45	HSW-50	Washer	4
21	736-5A	Rear Plate	1	46	736-14	Cap Screw	4
22	30-6	Roll Pin(3φ-6mm)	2	47	910-18	Oil Seal	1
23	736B-1	Cylinder	1				
24	736B-3	Rotor Blade	6				
25	736B-2	Rotor	1				