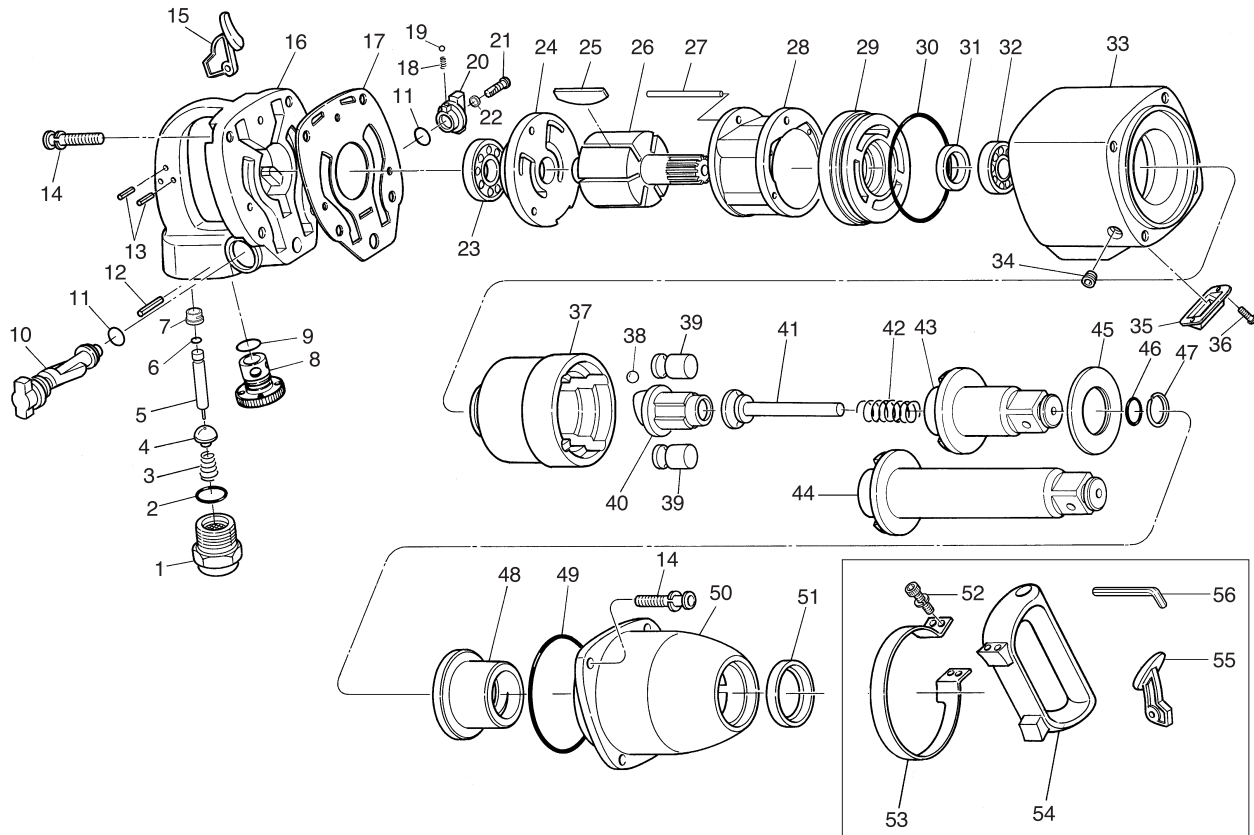


SI-1700

1" Sq. Dr. Impact Wrench

SI-1706

Long Anvil 1" Sq. Dr. Impact Wrench



Ref. No.	Parts No.	Description	Q'ty	Ref. No.	Parts No.	Description	Q'ty
1	945A-10	Inlet Bushing	1	29	945A-27	Front Plate	1
2	AN6227-14	O-Ring	1	30	945A-28	O-Ring	1
3	945A-9	Valve Spring	1	31	945A-29	Oil Seal	1
4	945A-8	Valve	1	32	6004	Ball Bearing	1
5	945A-7	Valve Pin	1	33	945A-31	Motor Housing	1
6	AN6227-1	O-Ring	1	34	945A-34	Oil Plug	1
7	945A-5	Valve Bushing	1	35	945A-35	Deflector	1
8	945A-14	Regulator	1	36	945A-36	Screw	2
9	P-15	O-Ring	1	37	945A-37	Hammer Cage	1
10	945A-16	Reverse Valve	1	38	945A-38	Cam Ball	1
11	945A-17	O-Ring	2	39	945A-40	Hammer Pin	2
12	945A-15	Roll Pin	1	40	945A-41	Cam	1
13	945A-4	Roll Pin	2	41	945A-39	Pilot Shaft	1
14	945A-20	Cap Screw with Washer	8	42	945A-42	Cam Spring	1
15	945A-56	Inside Trigger	1	43	945A-43	Anvil	1
16	945A-1	Handle	1	★44	945A-44	Long Anvil	1
17	945A-21	Gasket	1	45	945A-45	Anvil Spacer	1
18	945A-11	Spring	2	46	AN6227-13	O-Ring	1
19	945A-12	Steel Lever	2	47	945A-47	Socket Retainer Ring	1
20	945A-18	Reverse Lever	1	48	945A-48	Anvil Bushing	1
21	945A-19	Cap Screw	1	49	945A-49	O-Ring	1
22	945A-58	Washer	1	50	945A-50	Hammer Case	1
23	6904	Ball Bearing	1	51	945A-51	Oil Seal	1
24	945A-23	Rear Plate	1	52	945A-53	Cap Screw with Washer	4
25	945A-24	Rotor Blade	6	53	945A-55	Handle Bracket	1
26	945A-25	Rotor	1	54	945A-52	Dead Handle	1
27	945A-2	Dowel Pin	1	55	945A-3	Outside Trigger	1
28	945A-26	Cylinder	1	56	WRA-5	Allen Wrench	1