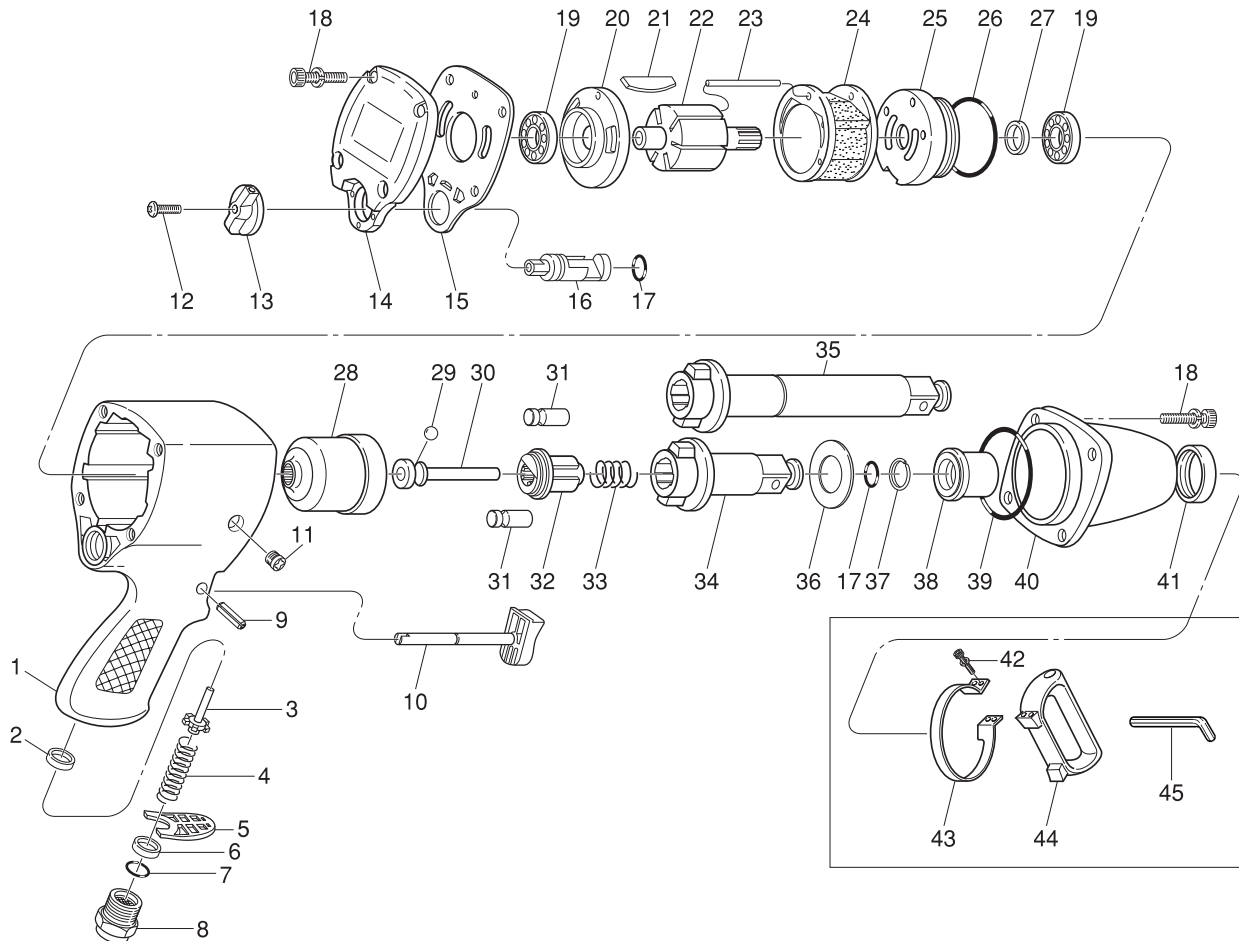


SI-1710

1" Sq. Dr. Impact Wrench

SI-1716

Long Anvil 1" Sq. Dr. Impact Wrench



Ref. No.	Parts No.	Description	Q'ty	Ref. No.	Parts No.	Description	Q'ty
1	955Y-1	Motor Housing	1	24	945Y-26	Cylinder	1
2	955Y-2	Valve Seat	1	25	955Y-25	Front Plate	1
3	955Y-3	Valve	1	26	945Y-28	O-Ring	1
4	955Y-4	Valve Spring	1	27	945A-29	Oil Seal	1
5	955Y-5	Deflector	1	28	945A-37	Hammer Cage	1
6	955Y-6	Washer	1	29	945A-38	Cam Ball	1
7	AN6227-14	O-Ring	1	30	945A-39	Pilot Shaft	1
8	945A-10	Inlet Bushing	1	31	945A-40	Hammer Pin	2
9	955Y-9	Roll Pin	1	32	945A-41	Cam	1
10	955Y-10	Trigger	1	33	945A-42	Cam Spring	1
11	945A-34	Oil Plug	1	34	955Y-34	Anvil	1
12	955Y-12	Screw	1	★35	955Y-35	Long Anvil	1
13	955Y-13	Multifunction Lever	1	36	945A-45	Anvil Spacer	1
14	955Y-14	Housing Cap	1	37	945A-47	Socket Retainer Ring	1
15	955Y-15	Gasket	1	38	955Y-39	Anvil Bushing	1
16	955Y-16	Multifunction Valve	1	39	945A-49	O-Ring	1
17	AN6227-13	O-Ring	2	40	955Y-41	Hammer Case	1
18	945A-20	Cap Screw With Washer	8	41	945A-51	Oil Seal	1
19	6004	Ball Bearing	2	42	945A-53	Cap Screw with Washer	4
20	955Y-20	Rear Plate	1	43	945A-55	Handle Bracket	1
21	945Y-24	Rotor Blade	6	44	945A-52	Dead Handle	1
22	955Y-22	Rotor	1	45	WRA-5	Allen Wrench	1
23	945Y-2	Dowel Pin	1				