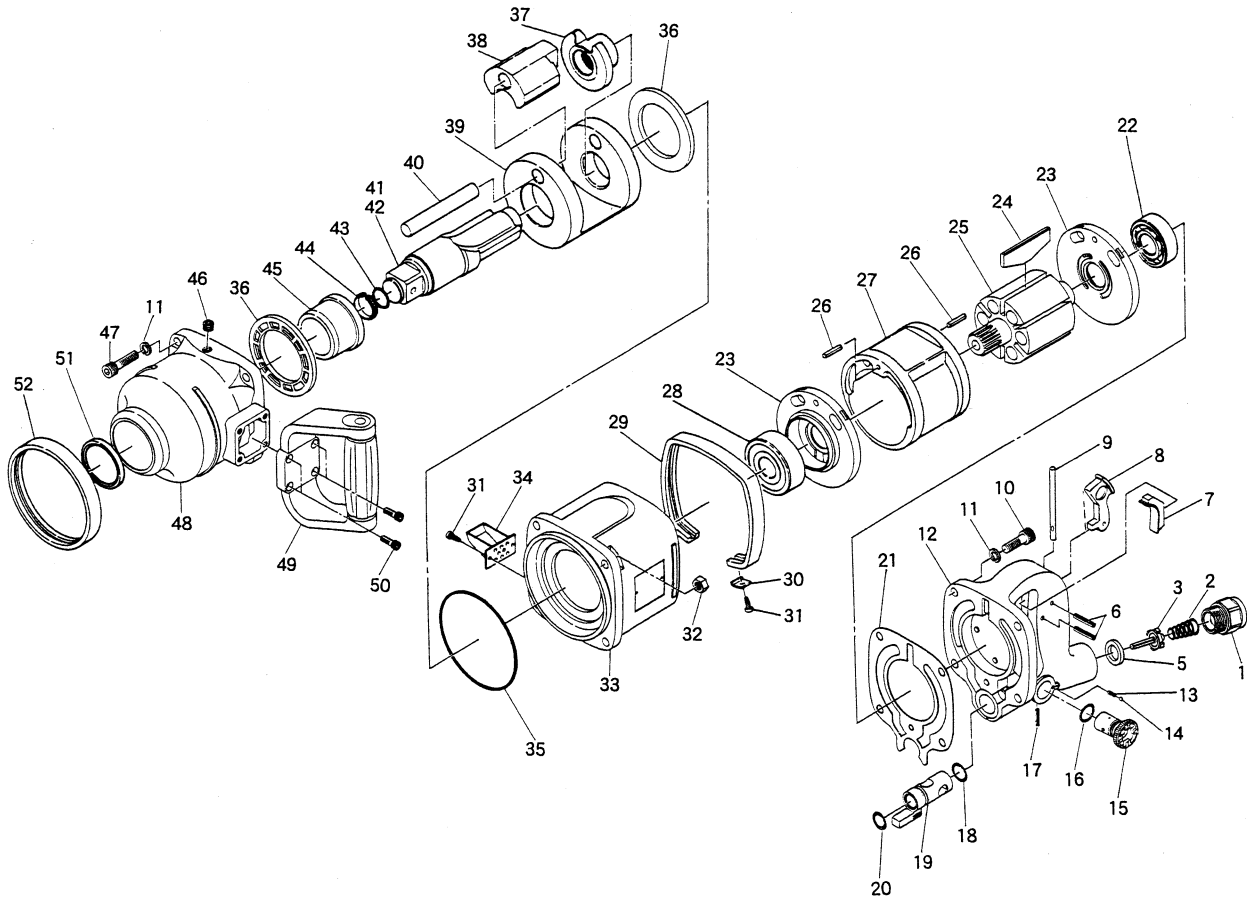


# SI-1850B

1" Sq. Impact Wrench

# SI-1856B

Long Anvil 1" Sq. Impact Wrench Straight Type



Ref. No.	Parts No.	Description	Q'ty	Ref. No.	Parts No.	Description	Q'ty
1	975-9	Inlet Bushing	1	28	6205-ZZ	Ball Bearing	1
2	976-19	Valve Spring	1	29	971-59	Housing Band	1
3	975-11A	Valve incl. Pin	1	30	971-62	Washer	2
			1	31	JBM40-100	Screw	4
5	975-12	Valve Seat	1	32	N1-M80	Nut	4
6	40-25	Roll Pin (4φ-25mm)	2	33	975-21	Motor Housing	1
7	971-40	Inside Plug	1	34	971-30	Muffler Cover	1
8	971-39	Outside Trigger	1	35	970-20	O-Ring	1
9	975-8A	Valve Pin	1	36	970-11A	Spacer	2
10	Z-M80-250	Cap Screw	4	37	970-18	Hammer Cam	1
11	HSW-80	Washer	8	38	970-17	Hammer Dog	1
12	975-7	Handle incl. Bush (971-34)	1	39	970-15	Hammer Cage	1
13	670-45	Reverse Spring	1	40	970-16	Hammer Pin	1
14	SB-1/8	Steel Ball	1	41	970-14	Anvil	1
15	976-20	Regulator	1	★42	970-60	Long Anvil	1
16	P-14	O-Ring	1	43	P-18	O-Ring	1
17	30-20	Roll Pin (3φ-20mm)	1	44	970-12	Socket Retainer Ring	1
18	P-15	O-Ring	1	45	970-10	Anvil Bush	1
19	975-10	Reverse Lever	1	46	PT-1/8	Plug	1
20	990-26-32	O-Ring	1	47	Z-M80-300	Cap Screw	4
21	971A-32	Motor Gasket	1	48	970-1A	Hammer Case incl. Bush & Oil Seal (970-10, 970-2)	1
22	6205	Ball Bearing	1	49	976-4	Dead Handle incl. Grip (976-4A)	1
23	970-23	End Plate incl. Plugs (970-23Ax2)	2	50	Z-1024-150	Cap Screw	4
24	970-26A	Rotor Blade	6	51	970-2	Oil Seal	1
25	975-6A	Rotor incl. Plugs (976-23Ax6)	1	52	970-43	Protect Band	1
26	50-18	Roll Pin (5φ-18mm)	2				
27	970-27	Cylinder	1				