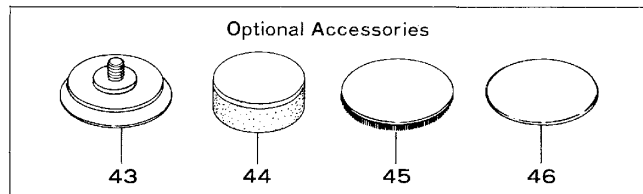
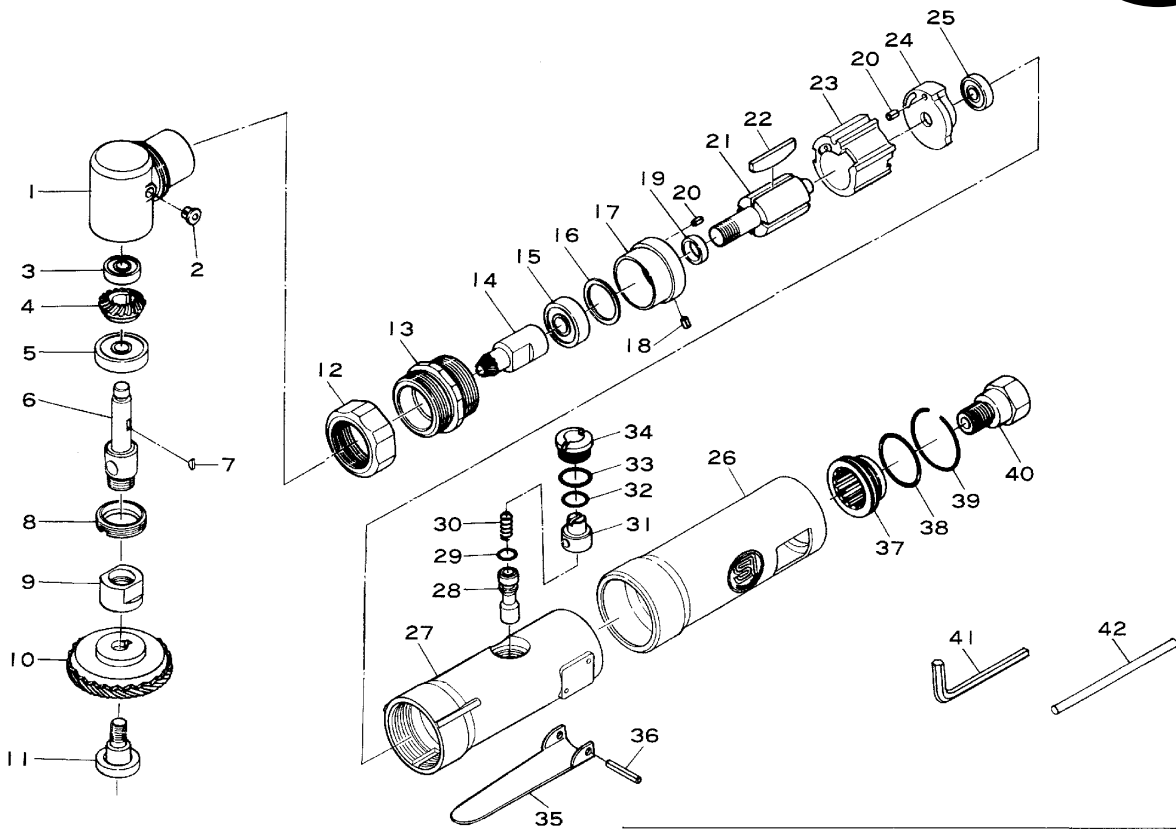


# SI-2007A

## High Speed Angle Sander



| Ref. No. | Parts No. | Description             | Q'ty | Ref. No. | Parts No. | Description   | Q'ty |
|----------|-----------|-------------------------|------|----------|-----------|---|------|
| 1        | 115-31    | Angle Head              | 1    | 25       | 696-ZZ    | Ball Bearing  | 1    |
| 2        | 1071C-16  | Grease Plug             | 1    | 26       | 117-1     | Housing Cover   | 1    |
| 3        | R4-ZZ     | Ball Bearing            | 1    | 27       | 612-1     | Motor Housing incl. Valve Bush (330-4)                    | 1    |
| 4        | 115L-2A   | Bevel Gear              | 1    | 28       | 330-5     | Valve Stem  | 1    |
| 5        | 608-LLU   | Ball Bearing            | 1    | 29       | P-4       | O-Ring  | 1    |
| 6        | 115BD-1   | Spindle                 | 1    | 30       | 350-7     | Valve Spring  | 1    |
| 7        | 115-36    | Key                     | 1    | 31       | 330-8A    | Air Regulator   | 1    |
| 8        | 115-32    | Spindle Nut             | 1    | 32       | P-8       | O-Ring  | 1    |
| 9        | 115MS-2   | Disc Receiver           | 1    | 33       | P-10      | O-Ring  | 1    |
| 10       | MESP-65   | 65φ mm Sanding Disc     | 1    | 34       | 330-10    | Valve Screw   | 1    |
| 11       | 115MS-1   | Disc Screw              | 1    | 35       | 350-2     | Throttle Lever  | 1    |
| 12       | 115-27    | Angle Head Coupling Nut | 1    | 36       | 30-24     | Roll Pin (3-24mm)   | 1    |
| 13       | 115-26    | Motor Clamp Nut         | 1    | 37       | 610-29    | Deflector   | 1    |
| 14       | 115L-1A   | Pinion Gear             | 1    | 38       | 620-28    | O-Ring  | 1    |
| 15       | 608-ZZ    | Ball Bearing            | 1    | 39       | 610-30    | Retaining Ring  | 1    |
| 16       | 330-20    | Shim (0.03mm)           | 1    | 40       | 610-2SC   | Inlet Bushing incl. Screen (680-28A) & Retainer (CRTW-12) | 1    |
| 17       | 115-19    | Front Plate             | 1    | 41       | WRA-5     | 5mm Allen Wrench  | 1    |
| 18       | 25-3.5    | Roll Pin (2.5-3.5mm)    | 1    | 42       | 480-54    | Bar Wrench (5φ-100mm)                                     | 1    |
| 19       | 330-18    | Collar                  | 1    | ◆ 43     | 262-21MD  | 48φ mm Velcro Pad   |      |
| 20       | 25-5      | Roll Pin (2.5-5mm)      | 2    | ◆ 44     | M-20x60/B | 60φ mm Sponge Buff  |      |
| 21       | 330-15    | Rotor                   | 1    | ◆ 45     | M-60      | 60φ mm Wool Buff  |      |
| 22       | 330-16    | Rotor Blade             | 4    | ◆ 46     | SHP-50M   | 50φ mm Sanding Paper #80                                  |      |
| 23       | 330-17    | Cylinder                | 1    |          |           |   |      |
| 24       | 610-12    | Rear Plate              | 1    |          |           |   |      |