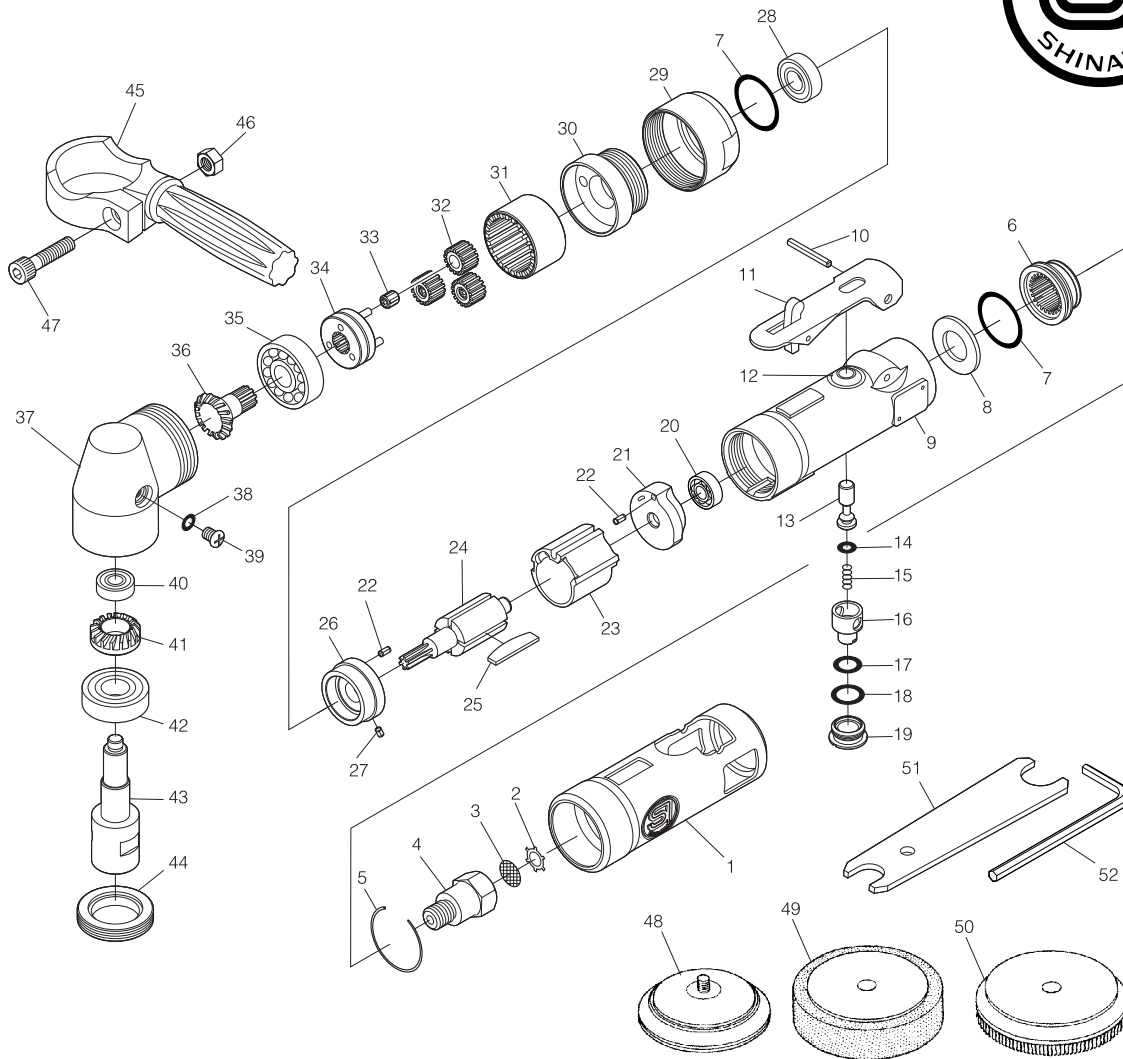


# SI-2009

## Mini Polisher



Ref. No.	Parts No.	Description	Q'ty	Ref. No.	Parts No.	Description	Q'ty
1	612-2R	Housing Cover	1	27	25-3.5	Roll Pin(2φ-3.5mm)	1
2	CRTW-12	Retainer	1	28	699-ZZ	Ball Bearing	1
3	680-28A	Screen	1	29	1151-10	Angle Head Coupling Nut	1
4	610-2	Inlet Bushing	1	30	1151-9	Motor Clamp Nut	1
5	610-30	Retaining Ring	1	31	1151-6	Internal Gear	1
6	610-29	Deflector	1	32	1151-16	Planet Gear	3
7	620-28	O-Ring	2	33	1300-45C-4	Cage incl. Pins (1300-45C4A×5)	3
8	570-1	Felt Ring	1	34	1151-7AS	Cage incl. Pins (3000-15-8×3)	1
9	612-1	Motor Housing incl. Bush (330-4)	1	35	6200	Ball Bearing	1
10	30-24	Roll Pin(3φ-24mm)	1	36	1151-2	Pinion Gear	1
11	350-2L	Throttle Lever	1	37	1151-1	Angle Head	1
12	330-4	Valve Bush	1	38	S-5	O-Ring	1
13	330-5	Valve Stem	1	39	A-M50...60	Screw	1
14	P-4	O-Ring	1	40	R4-ZZ	Ball Bearing	1
15	350-7	Valve Spring	1	41	1151-3	Bevel Gear	1
16	330-8A	Air Regulator	1	42	6001-ZZ	Ball Bearing	1
17	P-8	O-Ring	1	43	1151-4	Spindle	1
18	P-10	O-Ring	1	44	1151-5	Spindle Nut	1
19	330-10	Valve Screw	1	45	1151-14	Handle	1
20	696	Ball Bearing	1	46	N1-M60	Nut	1
21	610-12	Rear Plate	1	47	Z-M60...250	Cap Screw	1
22	25-5	Roll Pin(2.5φ-5mm)	2	48	1031-100	3" Pad	1
23	330-17	Cylinder	1	49	119-101	80φ mm Sponge Buff	1
24	1151-11	Rotor	1	50	119-102	80φ mm Wool Buff	1
25	330-16	Rotor Blade	4	51	330-28	Spanner Wrench (11×17mm)	1
26	1151-13	Front Plate	1	52	WRA-5	5mm Allen Wrench	1