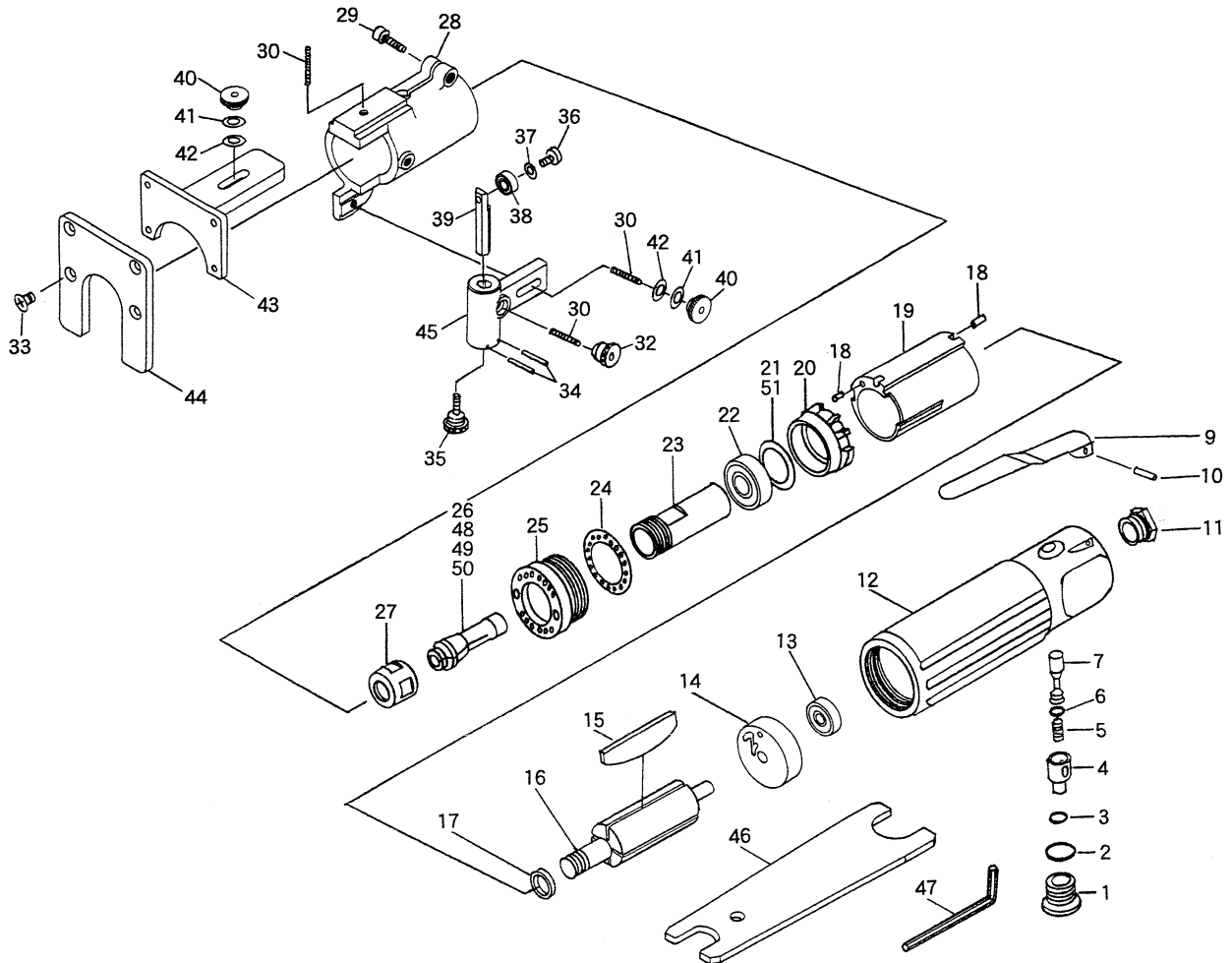


SI-2018A

Trimmer



Ref. No.	Parts No.	Description	Q'ty	Ref. No.	Parts No.	Description	Q'ty
1	350-10	Valve Screw	1	26	330-24	1/4" Collet	1
2	P-11	O-Ring	1	27	350-23	Collet Nut	1
3	P-8	O-Ring	1	28	290-1A	Trimmer Housing	1
4	350-8A	Air Regulator	1	29	Z-M60-200	Cap Screw	1
5	350-7	Valve Spring	1	30	290-16	Screw	3
6	P-5	O-Ring	1	32	290-6	Clamp Screw	1
7	350-5	Valve Stem	1	33	E-M40-100	Screw	4
8	350-4	Valve Bush	1	34	25-14	Roll Pin (2.5φ-14mm)	2
9	290-17	Throttle Lever	1	35	290-5	Adjust Screw	1
10	30-24	Roll Pin (3φ-24mm)	1	36	290-8	Screw	1
11	670-22	Inlet Bushing	1	37	PW-45	Washer	1
12	290-44	Motor Housing incl. Valve Bush (350-4)	1	38	R3-ZZ	Ball Bearing	1
13	626-ZZ	Ball Bearing	1	39	290-4	Adjust Bar	1
14	350-12	Rear Plate	1	40	290-7	Nut	2
15	350-16	Rotor Blade	4	41	145-16-5	Cup Spring	2
16	350-15	Rotor	1	42	PW-50	Washer	2
17	350-18	Collar	1	43	290A-2A	Shoe	1
18	25-5	Roll Pin (2.5φ-5mm)	2	44	290A-3A	Shoe Plate	1
19	680-1	Cylinder	1	45	290-47A	Guide Arm	1
20	350-19	Front Plate	1	46	350-28	Spanner Wrench (14x19mm)	2
21	350-20	Shim (0.03mm)	1	47	WRA-5	5mm Allen Wrench	1
22	6000-ZZ	Ball Bearing	1	◆48	330-25	1/8" Collet	
23	350-22	Spindle	1	◆49	330-26	3mm Collet	
24	350-25	Silencer	1	◆50	330-19	6mm Collet	
25	290-42	Lock Nut	1	◆51	350-29	Shim (0.05mm)	