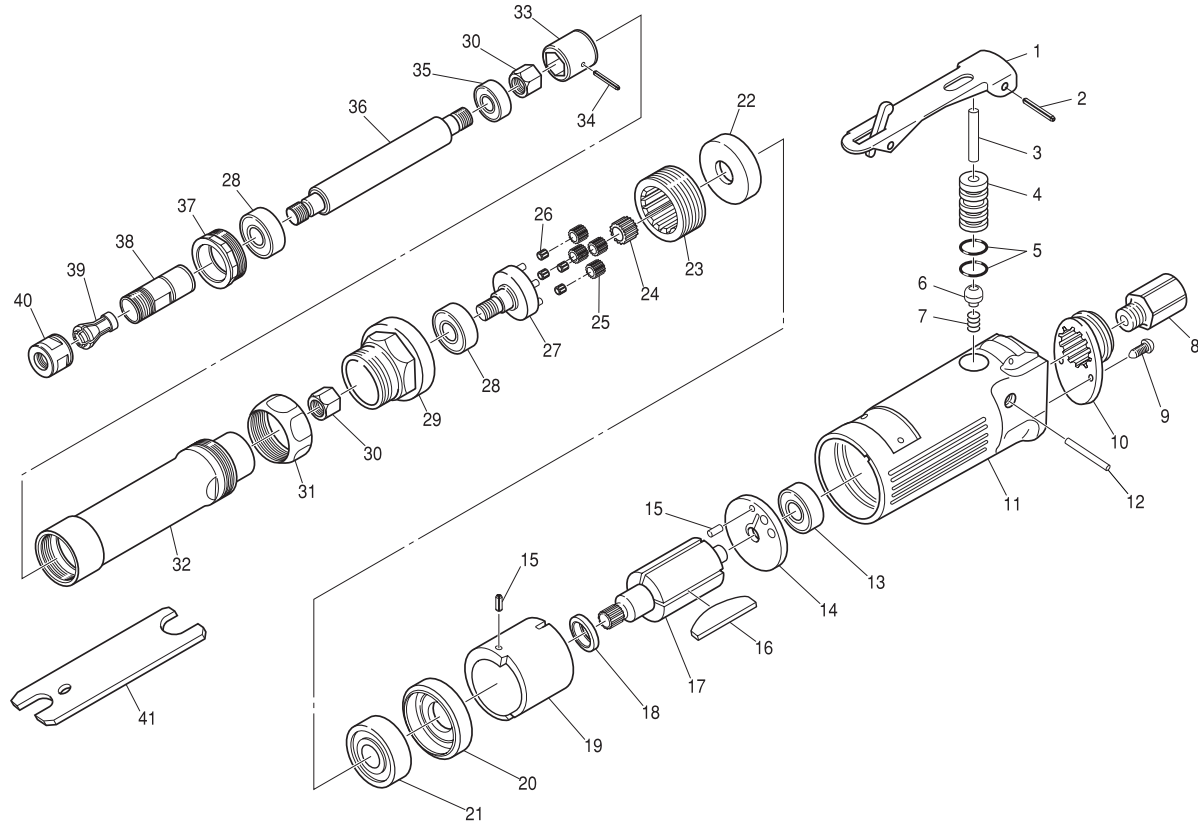


SI-2023

Extension Sander



Ref. No.	Parts No.	Description	Q'ty	Ref. No.	Parts No.	Description	Q'ty
1	350-2L	Throttle Lever	1	22	176L-6	Spacer	1
2	30-24	Roll Point (3ø-24mm)	1	23	176L-2	Internal Gear	1
3	190-33	Valve Pin	1	24	176L-5	Spacer	1
4	175-13	Valve Bushing	1	25	176L-4	Planet Gear	1
5	P-10	O-Ring	2	26	1300-45C-4	Cage incl.Pins(1300-45C4A x5)	4
6	300-10	Valve	1	27	176L-3	Reduction Spindle incl.Needle Rollers(3000-15-8x4)	1
7	670-49	Valve Spring	1	28	6001-ZZ	Ball Bearing	2
8	985-10	Inlet Bushing	1	29	176L-7	Motor Clamp Nut	1
9	JBM30---80	Screw	2	30	132-16	Drive Nut	2
10	120-11	Deflector	1	31	132-14	Coupling Nut	1
11	175-10	Motor Housing	1	32	132-6	Extension Housing	1
12	200-31	Pin	1	33	132-39	Coupling	1
13	608-ZZ	Ball Bearing	1	34	20-20	Roll Pin(2ø-20mm)	1
14	175-14	Rear Plate	1	35	EE-3-ZZ	Ball Bearing	1
15	25-5	Roll Pin (2.5ø-5mm)	2	36	132-7	Extension Shaft	1
16	170-5	Rotor Blade	4	37	132-8	Spindle Nut	1
17	176L-1	Rotor	1	38	130-15	Spindle	1
18	170-9	Spacer	1	39	330-19	6mm Collet	1
19	170-12	Cylinder	1	40	350-23	Collet Nut	1
20	170-3	Front Plate	1	41	350-28	Spanner Wrench(14x19mm)	2
21	6201-ZZ	Ball Bearing	1				