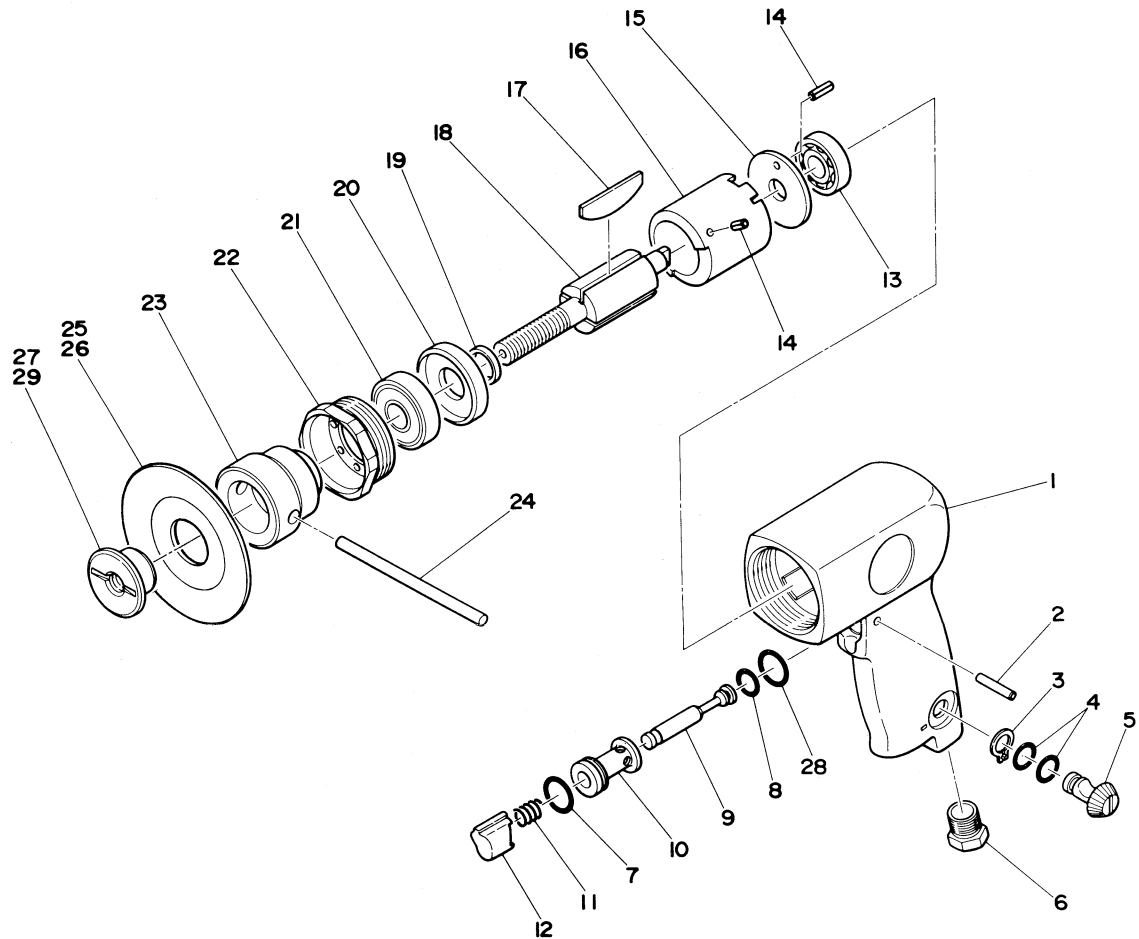


SI-2210

4" Paper Sander



| Ref. No. | Parts No. | Description | Q'ty | Ref. No. | Parts No. | Description | Q'ty |
|----------|-----------|---------------------|------|----------|-----------|--|------|
| 1 | 170-1 | Motor Housing | 1 | 16 | 170-12 | Cylinder | 1 |
| 2 | 25-20 | Roll Pin (2.5-20mm) | 1 | 17 | 170-5 | Rotor Blade | 4 |
| 3 | JS-9 | Retaining Ring | 1 | 18 | 170-4 | Rotor | 1 |
| 4 | P-5 | O-Ring | 2 | 19 | 170-9 | Spacer | 1 |
| 5 | 170-17 | Air Regulator | 1 | 20 | 170-3 | Front Plate | 1 |
| 6 | 670-22 | Inlet Bushing | 1 | 21 | 6201-ZZ | Ball Bearing | 1 |
| 7 | P-11 | O-Ring | 1 | 22 | 170-6 | Lock Ring | 1 |
| 8 | P-4 | O-Ring | 1 | 23 | 170-10 | Hub | 1 |
| 9 | 170-18 | Valve Stem | 1 | 24 | 170-28 | Lock Pin | 1 |
| 10 | 170-19 | Valve Bushing | 1 | 25 | 170C-27 | Disc Pad 3" | 1 |
| 11 | 170-21 | Valve Spring | 1 | 26 | 170C-30 | Disc Pad 4" | 1 |
| 12 | 170-20 | Trigger | 1 | 27 | 170-11 | Disc Nut for 22mm Disc Hole | 1 |
| 13 | 6000 | Ball Bearing | 1 | 28 | P-12 | O-Ring | 1 |
| 14 | 25-5 | Roll Pin (2.5-5mm) | 2 | 29 | 170-1E | Disc Nut for 15mm Disc Hole (Optional) | |
| 15 | 170-2 | Rear Plate | 1 | | | | |