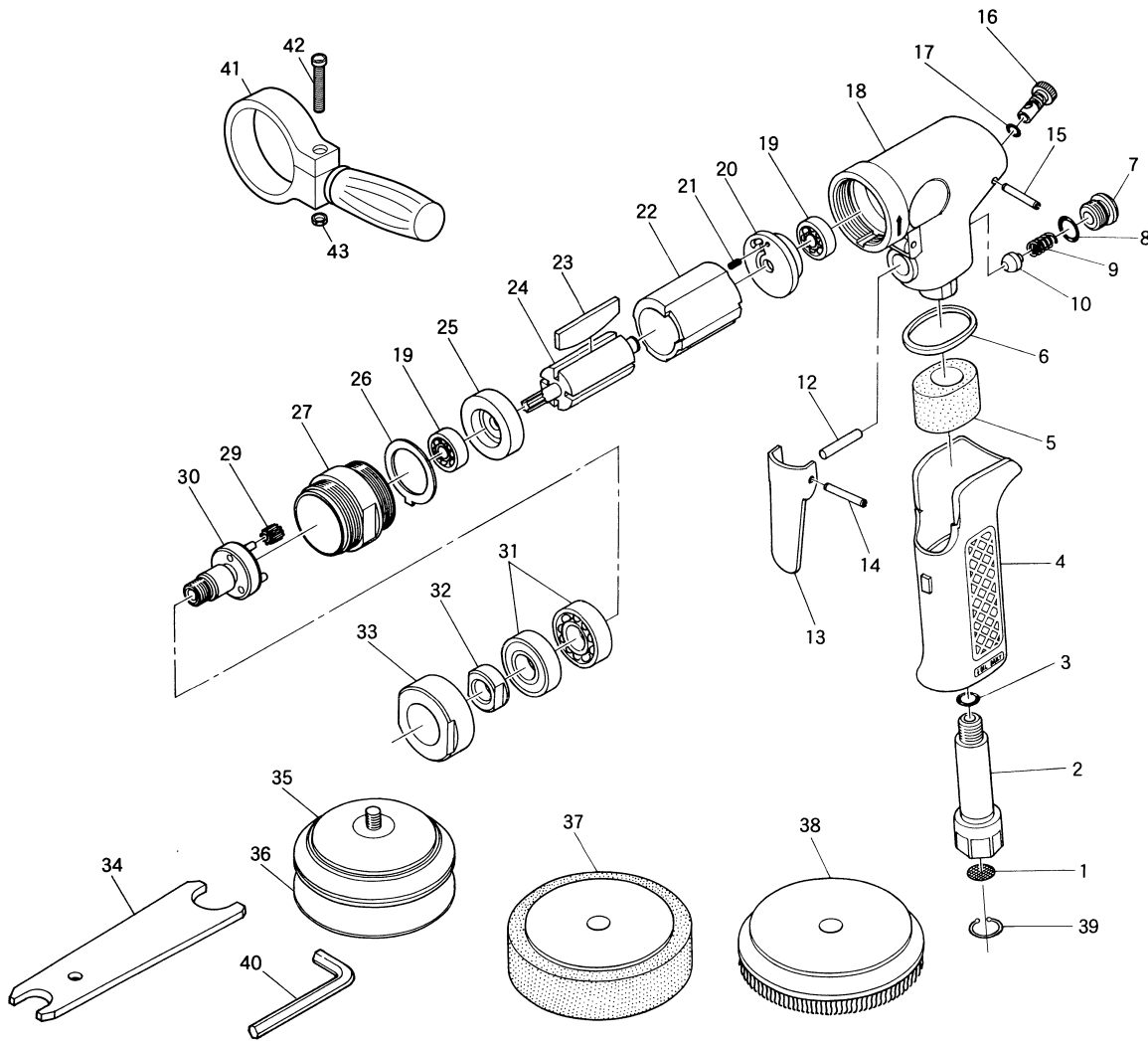


SI-2222

Mini Polisher



Ref. No.	Parts No.	Description	Q'ty	Ref. No.	Parts No.	Description	Q'ty
1	680-28A	Screen	1	23	301-15	Rotor Blade	4
2	310-37	Inlet Bushing	1	24	119GS-2	Rotor	1
3	129-6	O-Ring	1	25	119GS-9	Front Plate	1
4	129-3	Grip	1	26	119-7	Spacer	1
5	129-7	Muffler	1	27	119GS-3	Internal Gear	1
6	129-2	Gasket	1	29	119D-9	Idle Gear	3
7	800-14	Valve Screw	1	30	119KS-4	Spindle incl. Pins (3000-13-80x3)	1
8	P-9	O-Ring	1	31	6001-ZZ	Ball Bearing	2
9	670-49	Valve Spring	1	32	119KS-3	Spindle Nut	1
10	300-10	Valve	1	33	119GS-4	Clamp Nut	1
12	129-5	Valve Pin	1	34	330-28	Spanner Wrench (11x17mm)	1
13	312-12T	Throttle Lever	1	35	114DA-12	70 φ mm Velcro Pad	1
14	30-22	Roll Pin (3 φ -22mm)	1	36	NVP75-240	75 φ mm Sanding Paper #120	3
15	25-20	Roll Pin (2.5 φ -20mm)	1	37	119-101	80 φ mm Sponge Buff	1
16	129-4	Regulator	1	38	119-102	80 φ mm Wool Buff	1
17	S-4	O-Ring	1	39	CRTW-12	Retainer	1
18	129-1	Motor Housing incl. Valve Bush (670-10)	1	40	WRA-5	5mm Allen Wrench	1
19	626	Ball Bearing	2	41	129KS-2	Dead Handle	1
20	119-10	Rear Plate	1	42	Z-M60-250	Cap Screw	1
21	15-6	Roll Pin (1.5 φ -6mm)	1	43	N1-M60	Nut	1
22	800-1	Cylinder	1				