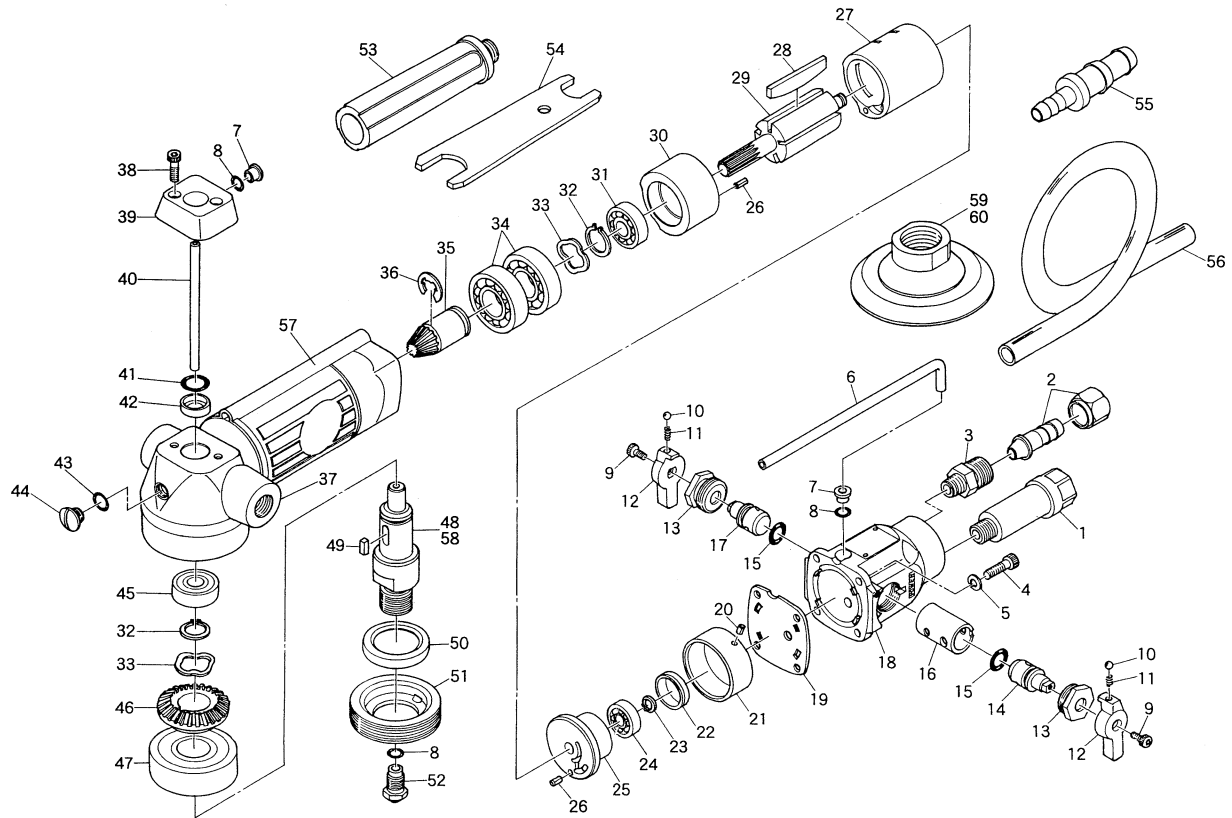


SI-2320W SI-2320W-E Wet Sander



Ref. No.	Parts No.	Description	Q'ty	Ref. No.	Parts No.	Description	Q'ty
1	1110A-48	Inlet Bushing	1	31	608	Ball Bearing	1
2	1110A-62	Hose Nipple	1	32	JS-15	Retaining Ring	2
3	1110A-22	Hose Adaptor	1	33	WW-150	Wave Washer	2
4	Z-832-160	Cap Screw	4	34	6002	Ball Bearing	2
5	HSW-40	Washer	4	35	1110A-12	Pinion Gear	1
6	1110-9	Outer Pipe	1	36	IE-8	Retaininig Ring	1
7	1110-17	Pipe Bush	2	37	1110A-1	Motor Housing	1
8	P-4	O-Ring	3	38	Z-M30-120	Cap Screw	2
9	Z-M30-80	Cap Screw	2	39	1110-3	Pipe Connector	1
10	SB-1/8	Steel Ball	2	40	1110-23	Inner Pipe	1
11	450-45	Regulator Spring	2	41	S-12	O-Ring	1
12	1110-4	Lever	2	42	G8-14-4	Oil Seal	1
13	1110-21	Valve Nut	2	43	S-7	O-Ring	1
14	1110A-18	Air Valve	1	44	1110A-6	Grease Plug	1
15	P-7	O-Ring	2	45	608-LLU	Ball Bearing	1
16	1110A-20	Valve Bush	1	46	1110A-13	Bevel Gear	1
17	1110A-19	Water Valve	1	47	6302-LLU	Ball Bearing	1
18	1110A-2	Valve Housing	1	48	1110-11	Spindle (M16 P=2)	1
19	1110A-7	Gasket	1	49	940-46	Key	1
20	25-4	Roll Pin (2.5-4mm)	1	50	G23-32-7	Oil Seal	1
21	1110A-5	Rear Case	1	51	1110-15	Spindle Cap	1
22	680-34	Bearing Cap	1	52	1110A-16	Nozzle	1
23	JS-6	Retaining Ring	1	53	240-50	Dead Handle	1
24	626	Ball Bearing	1	54	350-28	Spanner Wrench (14x19mm)	1
25	1110-26A	Rear Plate	1	55	1110A-61	Water Hose Joint	1
26	25-5	Roll Pin (2.5-5mm)	2	56	1110A-64	Water Hose	1
27	1110-24A	Cylinder	1	57	1110A-8	Housing Cover	1
28	350-16	Rotor Blade	5	★58	1110A-11E	Spindle (M14 P=2)	1
29	1110-10A	Rotor	1	◆59	1110A-80	80 φ mm Velcro Pad (M16 P=2)	
30	1110-25A	Front Plate	1	★◆60	1110A-80E	80 φ mm Velcro Pad (M14 P=2)	

★For SI-2320W-E
◆Option

Printed in Japan
Dec. 2000