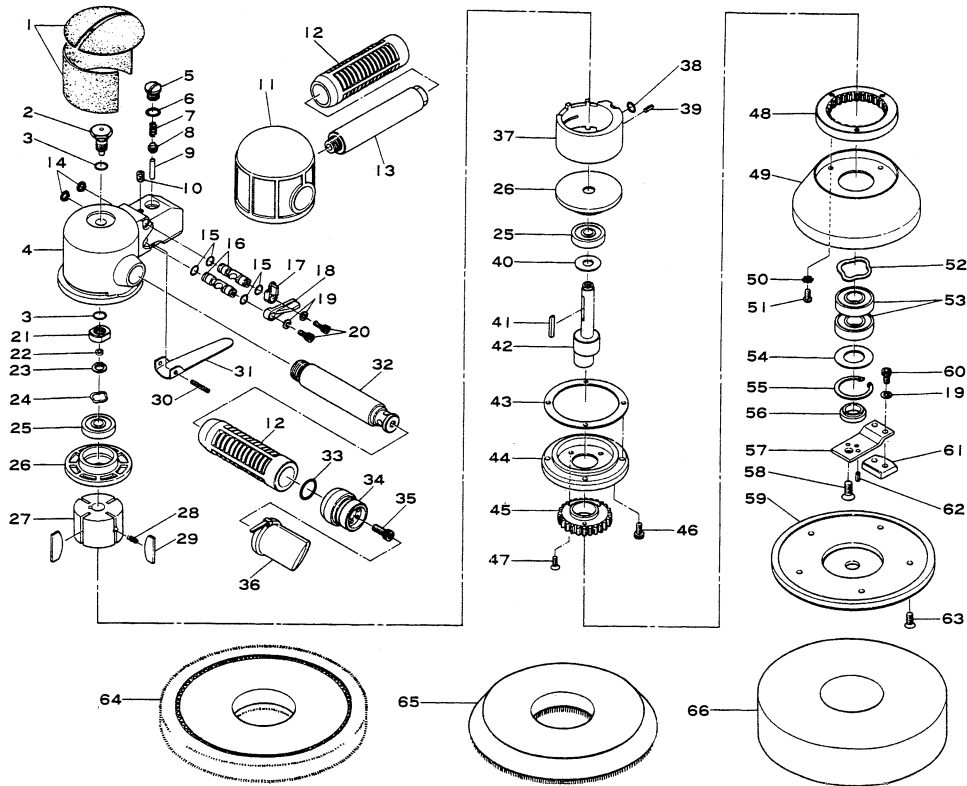


SI-2410 Polisher



| Ref. No. | Parts No. | Description | Q'ty | Ref. No. | Parts No. | Description | Q'ty |
|----------|-----------|---|------|----------|-----------|---------------------------|------|
| 1 | 256-64 | Insulating Cloth | 1 | 34 | 256-5 | Deflector | 1 |
| 2 | 256-13 | Fresh Air Intake | 1 | 35 | Z-M60-100 | Cap Screw | 1 |
| 3 | S-10 | O-Ring | 2 | 36 | 256-62 | Oil Filter | 1 |
| 4 | 256-1 | Motor Housing incl. Bush & Screw (670-10, ROM60-60) | 1 | 37 | 482-39 | Cylinder | 1 |
| 5 | 800-14 | Valve Screw | 1 | 38 | P-7 | O-Ring | 1 |
| 6 | P-9 | O-Ring | 1 | 39 | 30-6 | Roll Pin (3-6mm) | 1 |
| 7 | 670-49 | Valve Spring | 1 | 40 | 481-10 | Spacer (Brass) | 1 |
| 8 | 300-10 | Valve | 1 | 41 | 482-16 | Key | 1 |
| 9 | 670-23 | Valve Pin | 1 | 42 | 256-12 | Crank Shaft | 1 |
| 10 | ROM60-60 | Set Screw | 1 | 43 | 256-15 | Motor Gasket | 1 |
| 11 | 256-8 | Housing Cover | 1 | 44 | 256-3 | Motor Retainer | 1 |
| 12 | 266-35 | Grip Rubber | 2 | 45 | 256-11 | Pinion Gear | 1 |
| 13 | 480-15 | Handle Grip | 1 | 46 | Z-M50-100 | Cap Screw | 4 |
| 14 | JS-8 | Retaining Ring | 2 | 47 | Y-M40-120 | Screw | 3 |
| 15 | P-4 | O-Ring | 4 | 48 | 256-10 | Internal Gear | 1 |
| 16 | 256-16 | Regulator | 2 | 49 | 256-2 | Balancer Cover | 1 |
| 17 | 256-7 | Lever A | 1 | 50 | BT-40 | Washer | 3 |
| 18 | 256-6 | Lever B | 1 | 51 | A-M40-120 | Screw | 3 |
| 19 | HSW-40 | Washer | 4 | 52 | BWW-6202 | Wave Washer | 1 |
| 20 | Z-M40-80 | Cap Screw | 2 | 53 | 6003-LLU | Ball Bearing | 2 |
| 21 | 256-14 | Lock Nut | 1 | 54 | 256-20 | Seal Plate | 1 |
| 22 | G4-8-2 | Oil Seal | 1 | 55 | JO-35 | Retaining Ring | 1 |
| 23 | JS-10 | Retaining Ring | 1 | 56 | 256-19 | Collar | 1 |
| 24 | WW-100 | Wave Washer | 1 | 57 | 256-18 | Balancer Arm | 1 |
| 25 | 6200-ZZ | Ball Bearing | 2 | 58 | Y-M60-160 | Screw | 1 |
| 26 | 640-12TB | End Plate | 2 | 59 | 256-4 | Pad | 1 |
| 27 | 481-6TS | Rotor | 1 | 60 | Z-M40-100 | Cap Screw | 2 |
| 28 | 490-1 | Blade Spring | 2 | 61 | 256-9 | Weight | 1 |
| 29 | 470-9 | Rotor Blade | 4 | 62 | 30-12 | Roll Pin (3-12mm) | 1 |
| 30 | 30-24 | Roll Pin (3-24mm) | 1 | 63 | E-M40-100 | Screw | 5 |
| 31 | 350-2 | Throttle Lever | 1 | 64 | 256-67 | Polishing Buff Round Type | 1 |
| 32 | 266-37 | Dead Handle | 1 | 65 | 256-68 | Polishing Buff Taper Type | 1 |
| 33 | P-18 | O-Ring | 1 | ◆66 | 256-69 | Sponge Buff | |

◆Option