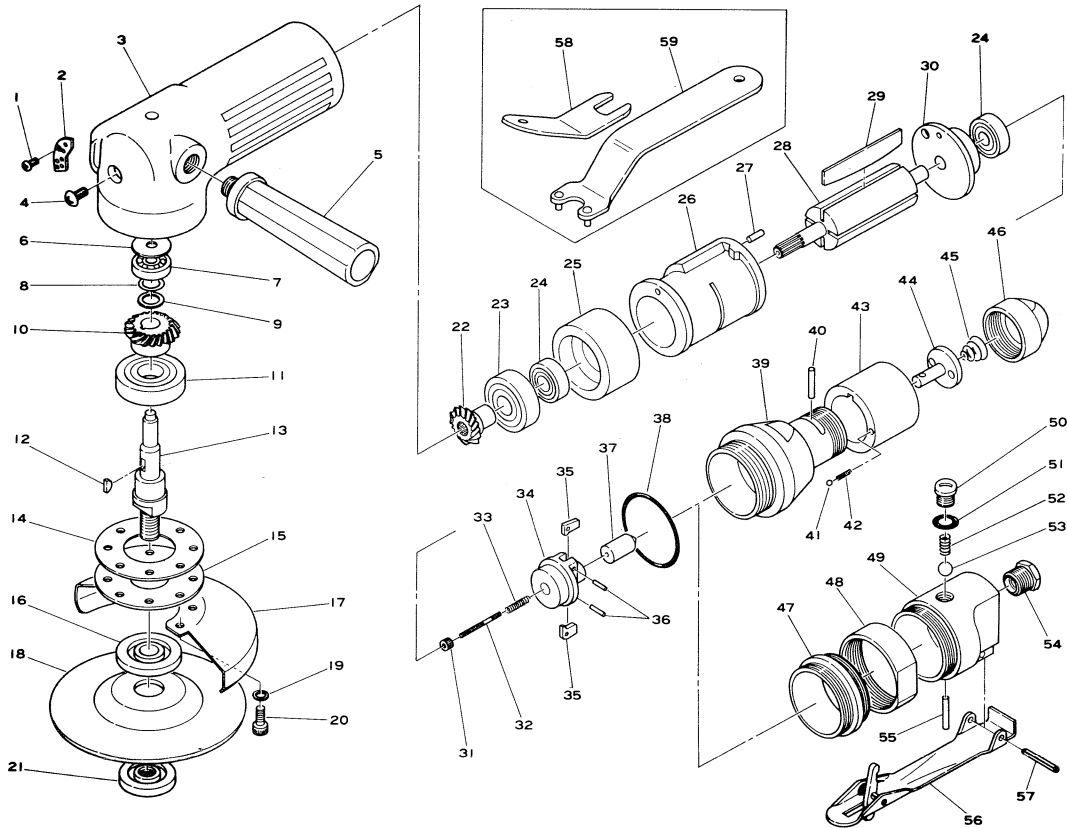


SI-2500 SI-2500L 4" Disc Grinder



Ref. No.	Parts No.	Description	Q'ty	Ref. No.	Parts No.	Description	Q'ty
1	JBM30-80	Screw	2	31	240-33	Adjust Nut	1
2	240-25	Deflector	1	32	240-32	Adjust Screw	1
3	240-10	Motor Housing	1	33	240-34	Governor Spring	1
4	F-M60-80	Screw	1	34	240-29	Governor	1
5	240-50	Dead Handle	1	35	240-30	Pendulum	6
6	240-18	Spacer	1	36	30-12	Roll Pin (3-12mm)	2
7	626	Ball Bearing	1	37	240-31	Plunger	1
8	JS-10	Retaining Ring	1	38	450-35	O-Ring	1
9	WW-100	Wave Washer	1	39	240-19	Governor Case	1
10	380-47	Bevel Gear	1	40	940-19	Valve Pin	1
11	6202-ZZ	Ball Bearing	1	41	SB-30	Steel Ball	1
12	480-23	Key	1	42	380-32	Valve Spring	1
13	240-9	Spindle	1	43	380-19	Valve Ring	1
14	240-5	Gasket	1	44	240-44	Valve	1
15	240-4	Retainer	1	45	380-33	Conical Spring	1
16	240-69	Disc Receiver for 16mm Hole	1	46	240-42	Inlet Bushing	1
17	240-1	Disc Cover	1	★47	240-64	Lock Nut	1
18	240-71	4" Disc 16mm Hole	1	★48	240-65	Coupling Nut	1
19	HSW-50	Washer	4	★49	240-66	Valve Housing incl. Valve Bush (280-67)	1
20	Z-M50-150	Cap Screw	4	★50	230-68	Valve Screw	1
21	240C-1	Disc Nut for 16mm Hole	1	★51	P-10	O-Ring	1
22	240-13	Pinion Gear	1	★52	450-24	Valve Spring	1
23	6201	Ball Bearing	1	★53	240-73	Valve	1
24	608-ZZ	Ball Bearing	2	★54	670-22	Inlet Bushing	1
25	510-8	Front Plate	1	★55	240-70	Valve Pin	1
26	650-4	Cylinder	1	★56	240-68	Throttle Lever	1
27	30-6	Roll Pin (3-6mm)	1	★57	40-30	Roll Pin (4-30mm)	1
28	240-23	Rotor	1	58	380-51	Spanner Wrench (10mm)	1
29	650-13	Rotor Blade	4	59	380-50	Pin Wrench	1
30	650-14	Rear Plate	1				

★For SI-2500L

Printed in Japan
★★★★★Nov. 2000