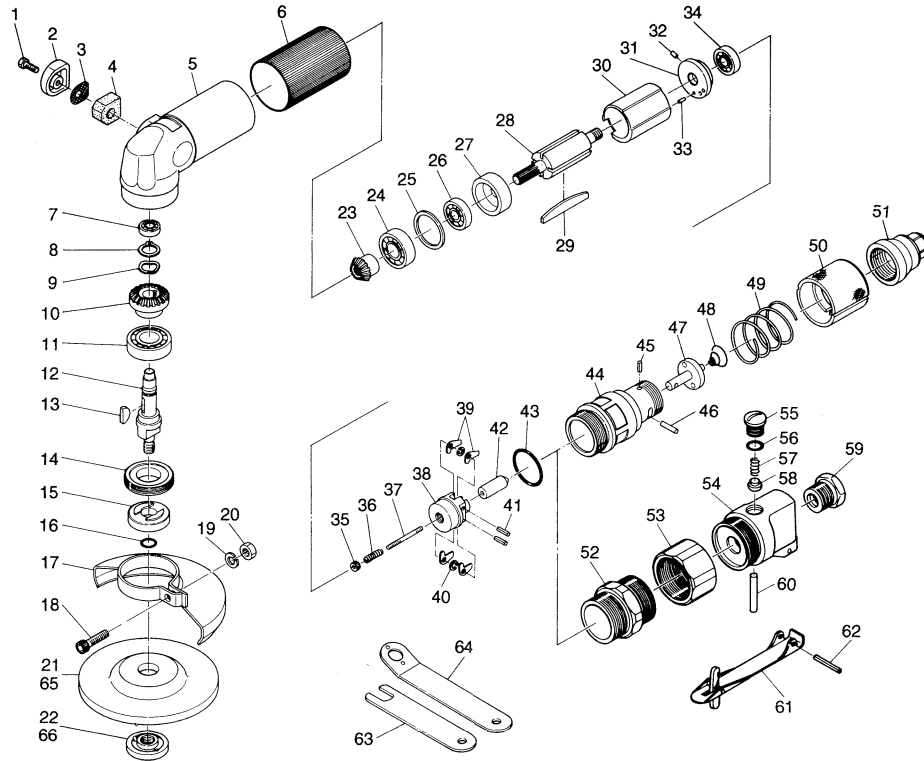


# SI-2501

## 4" Governed Mini Disc Grinder

# SI-2501L

## 4" Governed Mini Disc Grinder Lever Throttle



Ref. No.	Parts No.	Description	Q'ty	Ref. No.	Parts No.	Description	Q'ty
1	Z-M40-120	Cap Screw	1	34	698-ZZ	Ball Bearing	1
2	245-37	Deflector	1	35	240-33	Adjust Nut	1
3	245-50	Screen	1	36	245-21	Governor Spring	1
4	245-51	Muffler	1	37	240-32	Adjust Screw	1
5	245-4	Motor Housing	1	38	240-29	Governor	1
6	245-43	Housing Cover	1	39	240-30	Pendulum	4
7	696	Ball Bearing	1	40	HSW-30	Washer	2
8	JS-10	Retaining Ring	1	41	30-12	Roll Pin (3-12mm)	2
9	WW-100	Wave Washer	1	42	240-31	Plunger	1
10	245-7	Bevel Gear	1	43	S-30	O-Ring	1
11	6002-ZZ	Ball Bearing	1	☆44	245-11	Governor Case	1
12	245-16	Spindle	1	☆45	30-8	Roll Pin (3-8mm)	1
13	480-23	Key	1	☆46	940-19	Valve Pin	1
14	245-42	Housing Cap	1	☆47	245-5	Valve	1
15	245-40	Disc Receiver	1	☆48	380-33	Conical Spring	1
16	P-7	O-Ring	1	☆49	245-27	Valve Ring Spring	1
17	245-1	Disc Cover	1	☆50	245-26	Valve Ring	1
18	Z-M60-200	Cap Screw	1	☆51	245-29	Inlet Bushing	1
19	HSW-60	Washer	1	★52	245L-13	Lock Nut	1
20	N1-M60	Nut	1	★53	670-25	Lock Ring	1
21	240-71	4" Disc 16 φ mm Hole	1	★54	245L-11	Valve Housing incl. Valve Bush (245L-26)	1
22	240C-1	Disc Nut for 16 φ mm Hole	1	★55	800-14	Valve Screw	1
23	245-8	Pinion Gear	1	★56	P-9	O-Ring	1
24	6001	Ball Bearing	1	★57	670-49	Valve Spring	1
25	245-48	Shim	1	★58	300-10	Valve	1
26	608-ZZ	Ball Bearing	1	★59	670-22	Inlet Bushing	1
27	245-12	Front Plate	1	★60	240-70	Valve Pin	1
28	245-34	Rotor	1	★61	506-48A	Throttle Lever	1
29	670-15	Rotor Blade	4	★62	30-24	Roll Pin (3-24mm)	1
30	245-9	Cylinder	1	63	380-51	Spanner Wrench (10mm)	1
31	245-39	Rear Plate	1	64	380-50	Pin Wrench (3 φ x20mm)	1
32	1500-68	Pin	1	◆65	240-6	4" Disc 15 φ mm Hole	
33	15-8	Roll Pin (1.5-8mm)	1	◆66	380-44	Disc Nut for 15 φ mm Hole	

☆For SI-2501    ◆Option  
★For SI-2501L

Printed in Japan  
★★★Jul. 1999