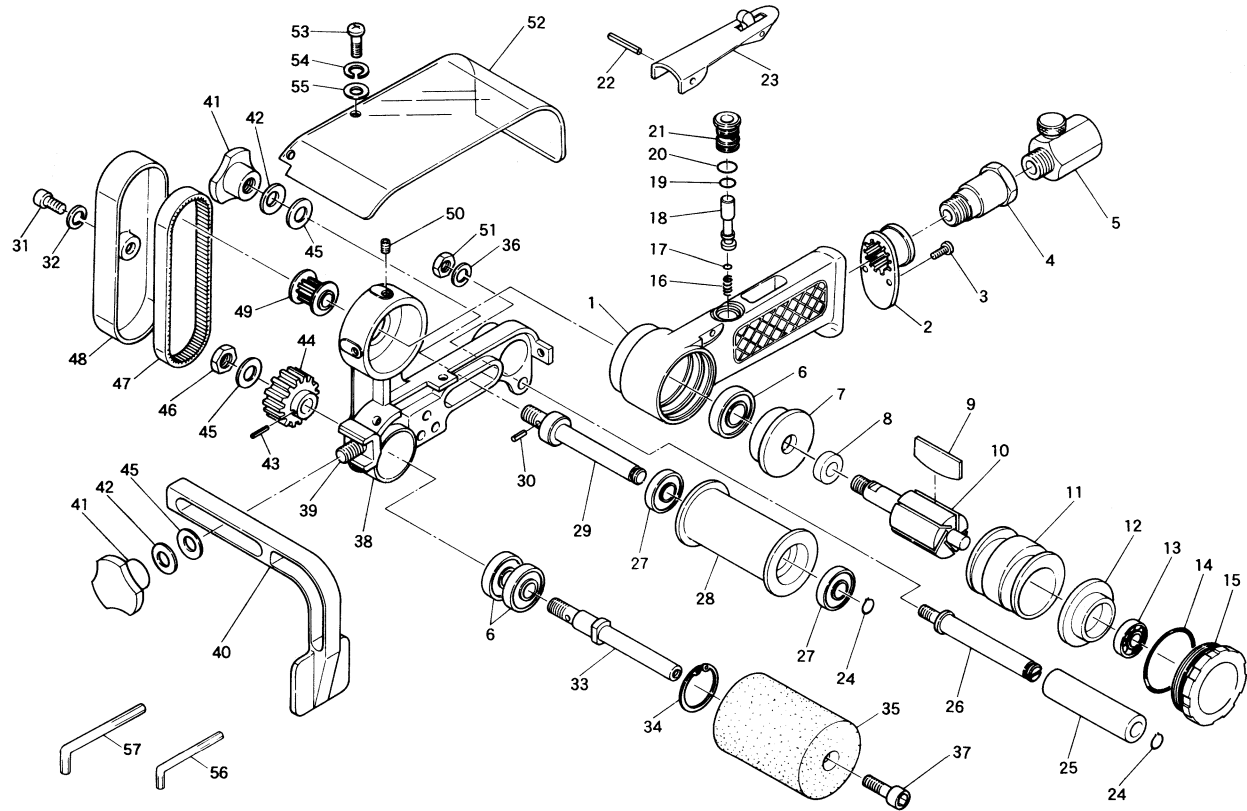


SI-2760

Roller Belt Sander



Ref. No.	Parts No.	Description	Q'ty	Ref. No.	Parts No.	Description	Q'ty
1	111-1	Motor Housing incl. Plate (111-70)	1	32	HSW-50	Washer	1
2	120-1	Deflector	1	33	111-3	Drive Shaft	1
3	JBM30-80	Screw	2	34	JO-26	Retaining Ring	1
4	120-17	Inlet Bushing	1	35	CWS-M	Contact Wheel (Sponge Medium)	1
5	181-45	Air Regulator	1	36	HSW-60	Washer	1
6	6000-ZZ	Ball Bearing	3	37	Z-M60-100	Cap Screw	1
7	111-34	Front Plate	1	38	111-2	Frame	1
8	350-18	Collar	1	39	111-53	Guide Screw	1
9	509-17	Rotor Blade	5	40	111-12	Sanding Guide	1
10	111-6	Rotor	1	41	111-47	Knob	2
11	509-15	Cylinder	1	42	DWB-80	Washer	2
12	509-11	Rear Plate	1	43	520-17	Pin	1
13	626	Ball Bearing	1	44	111-8	Pulley B	1
14	450-35	O-Ring	1	45	PW-80	Washer	3
15	509-13	Motor Nut	1	46	N3-M80	Nut	1
16	482-46	Valve Spring	1	47	111-48	Belt	1
17	P-4	O-Ring	1	48	111-5	Belt Cover	1
18	485-1	Valve Stem	1	49	111-7	Pulley A	1
19	P-8	O-Ring	1	50	ROM50-50	Set Screw	2
20	S-10	O-Ring	1	51	N2-M60	Nut	1
21	485-5	Valve Body	1	52	111-4	Wheel Cover	1
22	30-24	Roll Pin (3-24mm)	1	53	A-M40-80	Screw	3
23	350-2L	Throttle Lever	1	54	HSW-40	Washer	1
24	JS-8	Retaining Ring	2	55	PW-40	Washer	3
25	111-10	Level Roller	1	56	WRA-2.5	2.5mm Allen Wrench	1
26	111-11	Level Shaft	1	57	WRA-5	5mm Allen Wrench	1
27	608-ZZ	Ball Bearing	2	*58	HLB-M	HL Belt (Medium)	1
28	111-50	Idle Roller	1	*59	SZW	Buffing Wheel	1
29	111-51	Idle Shaft	1	*60	RB-80	60mm Sanding Belt Grit # 80	1
30	20-8	Roll Pin (2-8mm)	1	*61	RB-180	60mm Sanding Belt Grit # 180	1
31	Z-1024-95	Cap Screw	1	*62	RB-400	60mm Sanding Belt Grit # 400	1

* Not Shown

Printed in Japan
May, 1998