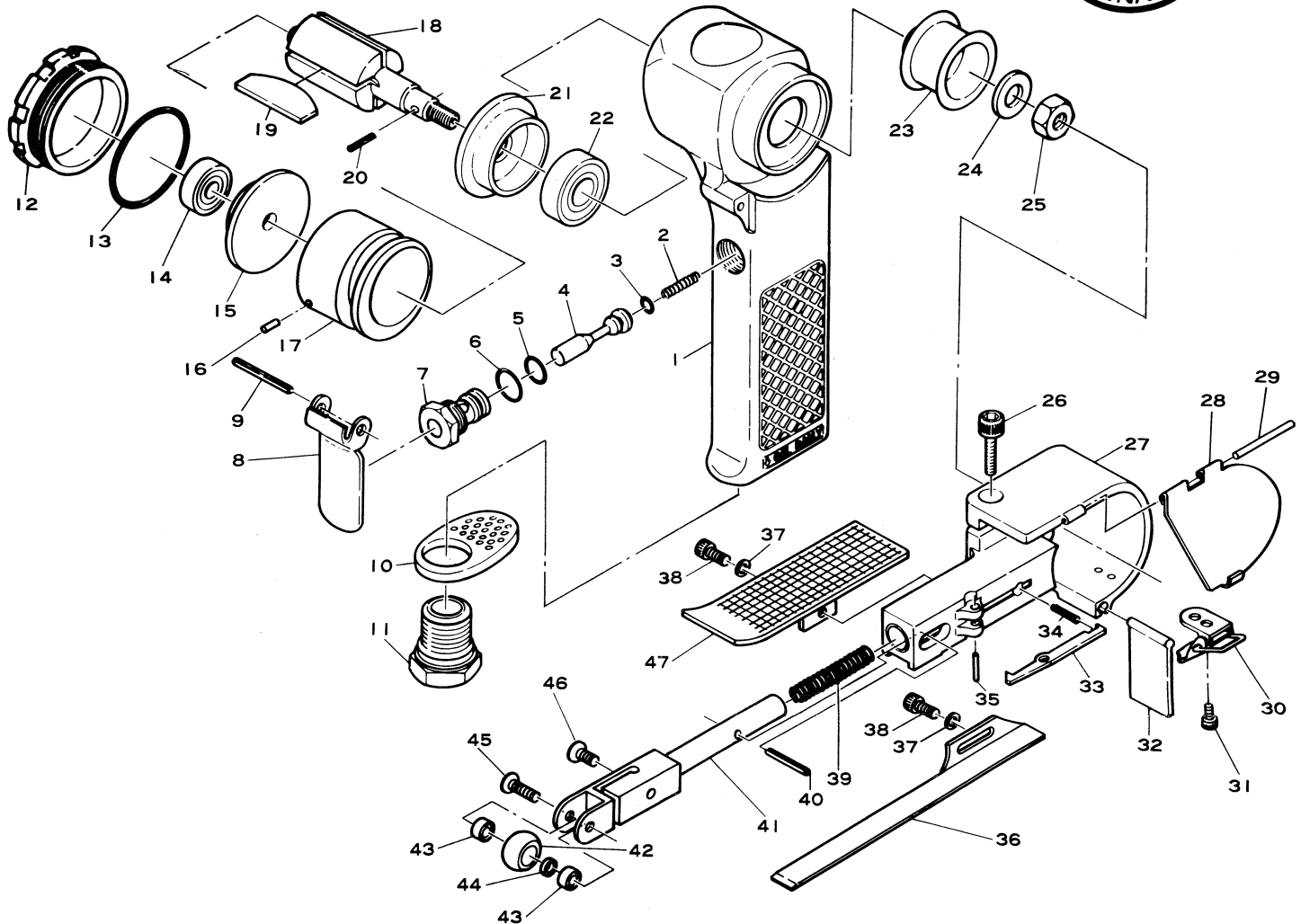


SI-2800

20mm BELT SANDER



Ref. No.	Parts No.	Description	Q'ty	Ref. No.	Parts No.	Description	Q'ty
1	507-45	Motor Housing	1	26	Z-1024-180	Cap Screw	1
2	482-46	Valve Spring	1	27	507-25	Wheel Cover incl. Insert Spacer (507-34)	1
3	P-4	O-Ring	1	28	507-42A	Wheel Cover Lid	1
4	485-1	Valve Stem	1	29	20-30	Roll Pin (2-30mm)	1
5	P-8	O-Ring	1	30	507-46	Cover Latch	1
6	S-10	O-Ring	1	31	Z-M30-50	Cap Screw	2
7	485-5	Valve Body	1	32	507-29	Apron	1
8	509-4	Throttle Lever	1	33	507-41	Stopper	1
9	30-24	Roll Pin (3-24mm)	1	34	507-22	Stopper Spring	1
10	509-3	Deflector	1	35	30-12	Roll Pin (3-12mm)	1
11	509-2	Inlet Bushing	1	36	507-15	Shoe	1
12	509-13	Motor Nut	1	37	PW-50	Washer	2
13	450-35	O-Ring	1	38	Z-1024-95	Cap Screw	2
14	626	Ball Bearing	1	39	507-33	Tension Spring	1
15	509-11	Rear Plate	1	40	507-1	Stopper Pin	1
16	20-6	Roll Pin (2-6mm)	1	41	507-30	Tension Arm	1
17	507-31	Cylinder	1	42	507-35A	Idle Pulley	1
18	507-32	Rotor	1	43	686-ZZ	Ball Bearing	2
19	170-5	Rotor Blade	4	44	507-37	Collar	1
20	520-17	Pin	1	45	507-38	Idle Shaft	1
21	509-18	Front Plate	1	46	Y-M60-180	Counter Sink	1
22	6000-ZZ	Ball Bearing	1	47	507-44	Finger Plate	1
23	507-23	Drive Pulley	1	*48	WRA-4	4mm Allen Wrench	1
24	BT-80	Washer	1	*49	507-58A	Sanding Belt	6
25	N2-M80	Nut	1				

* Not Shown