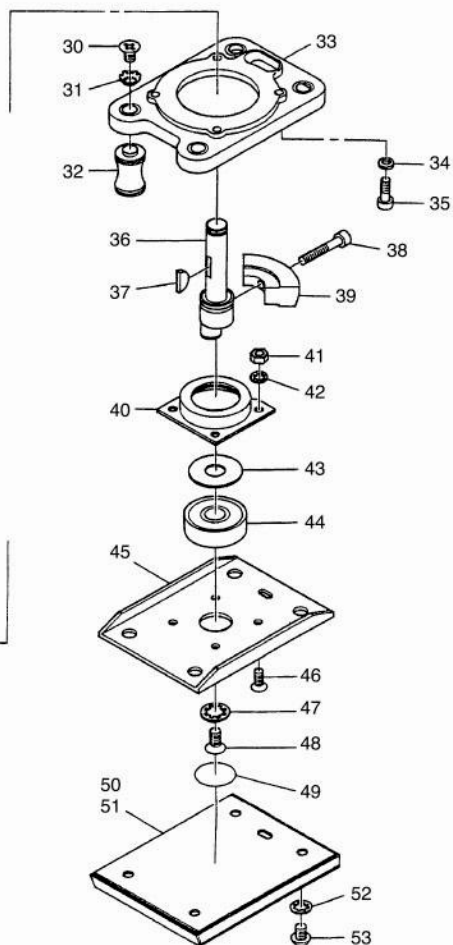
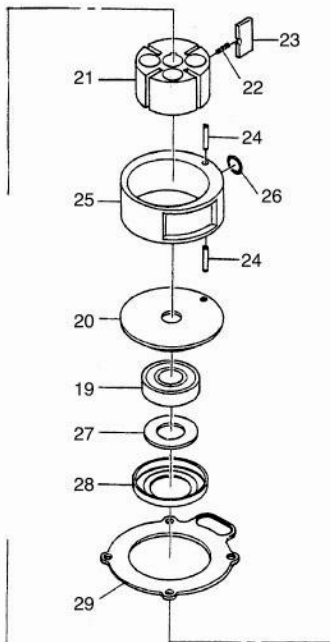
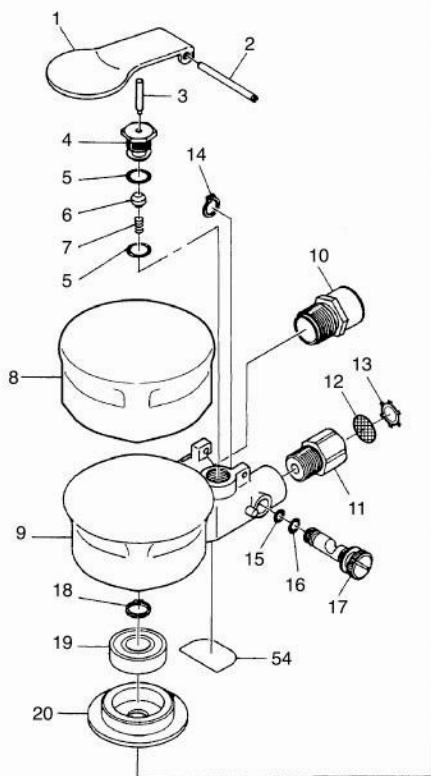


SI-3001(M)

Mini Orbital Sander



Ref. No.	Parts No.	Description	Q'ty	Ref. No.	Parts No.	Description	Q'ty
1	1040-11	Throttle Lever	1	28	481-9	Seal Cover	1
2	30-40	Roll Pin (3φ-40mm)	1	29	1040-9	Motor Gasket	1
3	455-11	Valve Pin	1	30	E-M50...80	Screw	4
4	490-4	Valve Body	1	31	CT-50	Washer	4
5	S-10	O-Ring	2	32	490-48B	Rubber Support	4
6	455-21	Valve	1	33	1040-3	Motor Retainer	1
7	490-20	Valve Spring	1	34	1040-19	Washer	4
8	1040-10A	Housing Cover	1	35	Z-632...127	Cap Screw	4
9	1040-1	Motor Housing	1	36	1040-8	Crank Shaft	1
10	1040-18AS	Muffler Assy.	1	37	480-23	Key	1
11	180-1SC	Inlet Bushing incl. Screen(680-28A) & Retainer(CRTW-12)	1	38	Z-M40...250	Cap Screw	1
12	680-28A	Screen	1	39	1040-7	Lower Weight	1
13	CRTW-12	Retainer	1	40	490-18	Shoe Bearing Housing	1
14	JS-8	Retaining Ring	1	41	N1-M40	Nut	4
15	P-4	O-Ring	1	42	AT-40	Washer	4
16	P-5	O-Ring	1	43	481-10	Spacer (Brass)	1
17	485-4	Air Regulator	1	44	6200-LLU	Ball Bearing	1
18	JS-10	Retaining Ring	1	45	490-19B	Shoe (Square)	1
19	6000-ZZ	Ball Bearing	2	46	E-M40...80	Screw	4
20	1040-5A	End Plate	2	47	AT-70	Washer	1
21	1040-4	Rotor	1	48	E-M50...100	Screw	1
22	490-1	Blade Spring	2	49	490-52	Seal (Round)	1
23	1040-17	Rotor Blade	4	50	P-3003	Leather Pad incl. Plate(490-58B)	1
24	25-14	Roll Pin ((2.5φ-14mm)	2	51	M-3003	Velcro Pad incl. Plate(490-58B)	1
25	1040-2	Cylinder	1	52	AT-50	Washer	4
26	P-7	O-Ring	1	53	A-M50...60	Screw	4
27	570-1	Felt Ring	1	54	1040-50	Cover Plate	1