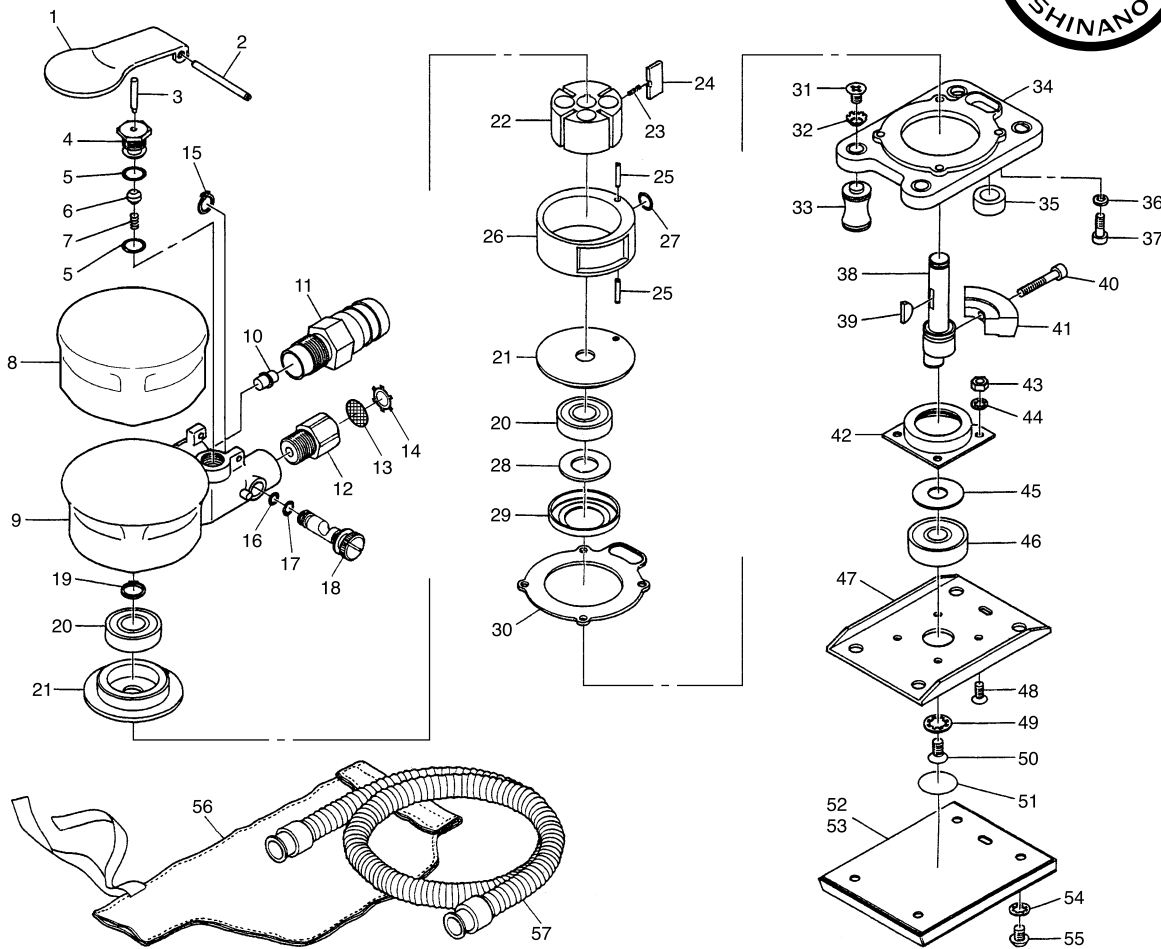


# SI-3011(M)

## Mini Orbital Sander (Dust Free)



Ref. No.	Parts No.	Description	Q'ty	Ref. No.	Parts No.	Description	Q'ty
1	1040-11	Throttle Lever	1	30	1040-9	Motor Gasket	1
2	30-40	Roll Pin (3-40mm)	1	31	E-M50-80	Screw	4
3	455-11	Valve Pin	1	32	CT-50	Washer	4
4	490-4	Valve Body	1	33	490-48B	Rubber Support	4
5	S-10	O-Ring	2	34	1040-3	Motor Retainer	1
6	455-21	Valve	1	35	490W-1	Felt	1
7	490-20	Valve Spring	1	36	1040-19	Washer	4
8	1040-10A	Housing Cover	1	37	Z-632-127	Cap Screw	4
9	1040-1	Motor Housing	1	38	1040-8	Crank Shaft	1
10	1040-12	Nozzle	1	39	480-23	Key	1
11	1040-45D	Defuser	1	40	Z-M40-250	Cap Screw	1
12	180-1	Inlet Bushing	1	41	1040-7	Lower Weight	1
13	680-28A	Screen	1	42	490-18	Shoe Bearing Housing	1
14	CRTW-12	Retainer	1	43	N1-M40	Nut	4
15	JS-8	Retaining Ring	1	44	AT-40	Washer	4
16	P-4	O-Ring	1	45	481-10	Spacer (Brass)	1
17	P-5	O-Ring	1	46	6200-LLU	Ball Bearing	1
18	485-4	Air Regulator	1	47	490-19B	Shoe (Square)	1
19	JS-10	Retaining Ring	1	48	E-M40-80	Screw	4
20	6000-ZZ	Ball Bearing	2	49	AT-70	Washer	1
21	1040-5A	End Plate	2	50	E-M50-100	Screw	1
22	1040-4	Rotor	1	51	490-52	Seal (Round)	1
23	490-1	Blade Spring	2	52	P-3013D	Leather Pad incl. Plate (490-58B)	1
24	1040-17	Rotor Blade	4	53	M-3013D	Velcro Pad incl. Plate (490-58B)	1
25	25-14	Roll Pin (2.5-14mm)	2	54	AT-50	Washer	4
26	1040-2	Cylinder	1	55	A-M50-60	Screw	4
27	P-7	O-Ring	1	56	485-42	Dust Pack	1
28	570-1	Felt Ring	1	57	1040-54	Dust Hose	1
29	481-9	Seal Cover	1				