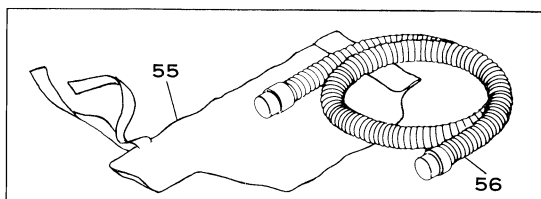
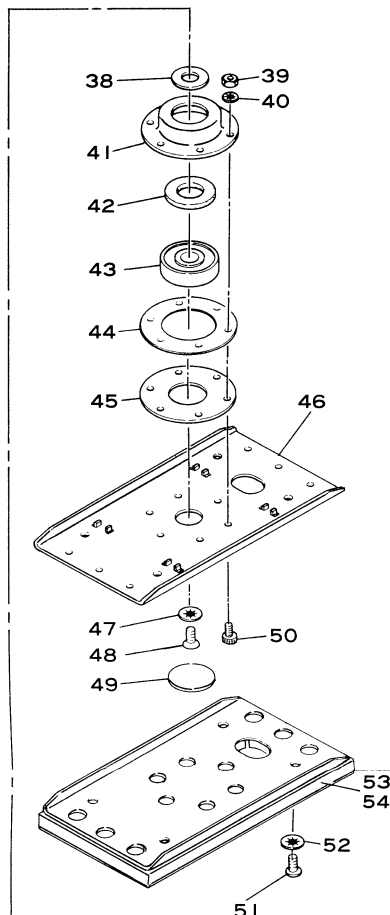
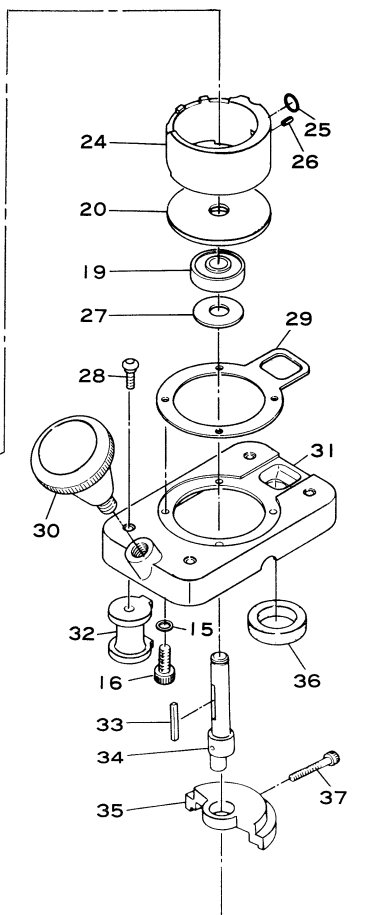
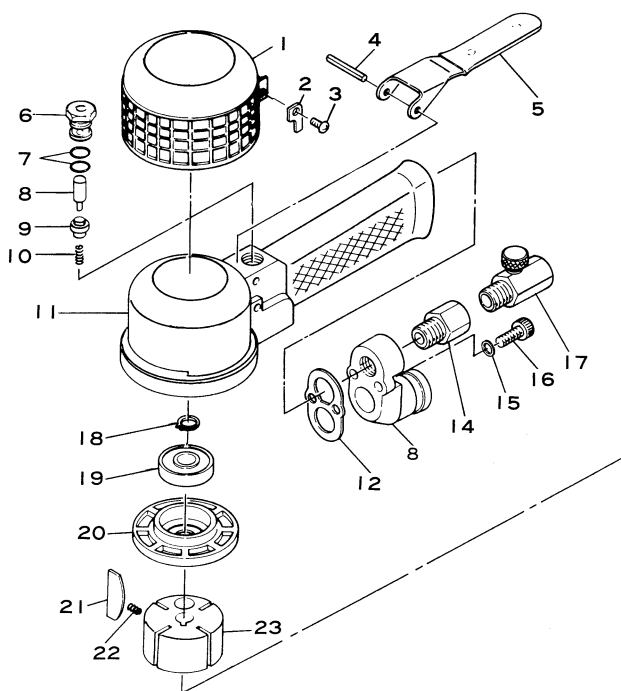


SI-3018

Random Orbital Sander (Dust Free)



Ref. No.	Parts No.	Description	Q'ty	Ref. No.	Parts No.	Description	Q'ty
1	485A-2	Housing Cover	1	29	485A-6	Gasket	1
2	482-45	Retainer	2	30	477A-2	Knob	1
3	JBM40-80	Screw	2	31	477A-1	Basement	1
4	40-30	Roll Pin (4-30mm)	1	32	477A-10	Rubber Support	4
5	480-13A	Throttle Lever	1	33	482-16	Key	1
6	490-4	Valve Body	1	34	477A-6	Crank Shaft	1
7	S-10	O-Ring	2	35	475B-18	Lower Weight	1
8	455-11	Valve Pin	1	36	477A-9	Felt Seal	1
9	455-21	Valve	1	37	Z-M50-250	Cap Screw	1
10	490-20	Valve Spring	1	38	477A-11	Spacer	1
11	485A-1	Motor Housing	1	39	N1-M40	Nut	6
12	485A-4	Gasket	1	40	AT-40	Washer	6
13	485A-3	Housing Cap	1	41	475-20	Shoe Bearing Housing	1
14	680-18	Inlet Bushing	1	42	477A-7	Bearing Seal (Felt)	1
15	HSW-50	Washer	6	43	6300-LLU	Ball Bearing	1
16	Z-M50-150	Cap Screw	6	44	477A-52	Gasket	1
17	181-45	Air Regulator	1	45	475-24	Spacer	1
18	JS-10	Retaining Ring	1	46	477A-3	Shoe	1
19	6200-ZZ	Ball Bearing	2	47	AT-70	Washer	1
20	640-12TB	End Plate	2	48	E-M50-100	Screw	1
21	470-9	Rotor Blade	4	49	477A-12	Seal	1
22	490-1	Blade Spring	2	50	Z-M40-100	Cap Screw	6
23	475-6TS	Rotor	1	51	A-M50-100	Screw	4
24	482-39	Cylinder	1	52	AT-50	Washer	4
25	P-7	O-Ring	1	53	477A-5EM	Velcro Pad	1
26	30-6	Roll Pin (3-6mm)	1	54	477A-5EL	Leather Pad	1
27	481-10	Spacer (Brass)	1	55	485-42	Dust Pack	1
28	AZM50-100	Screw	4	56	570-42	Dust Hose	1