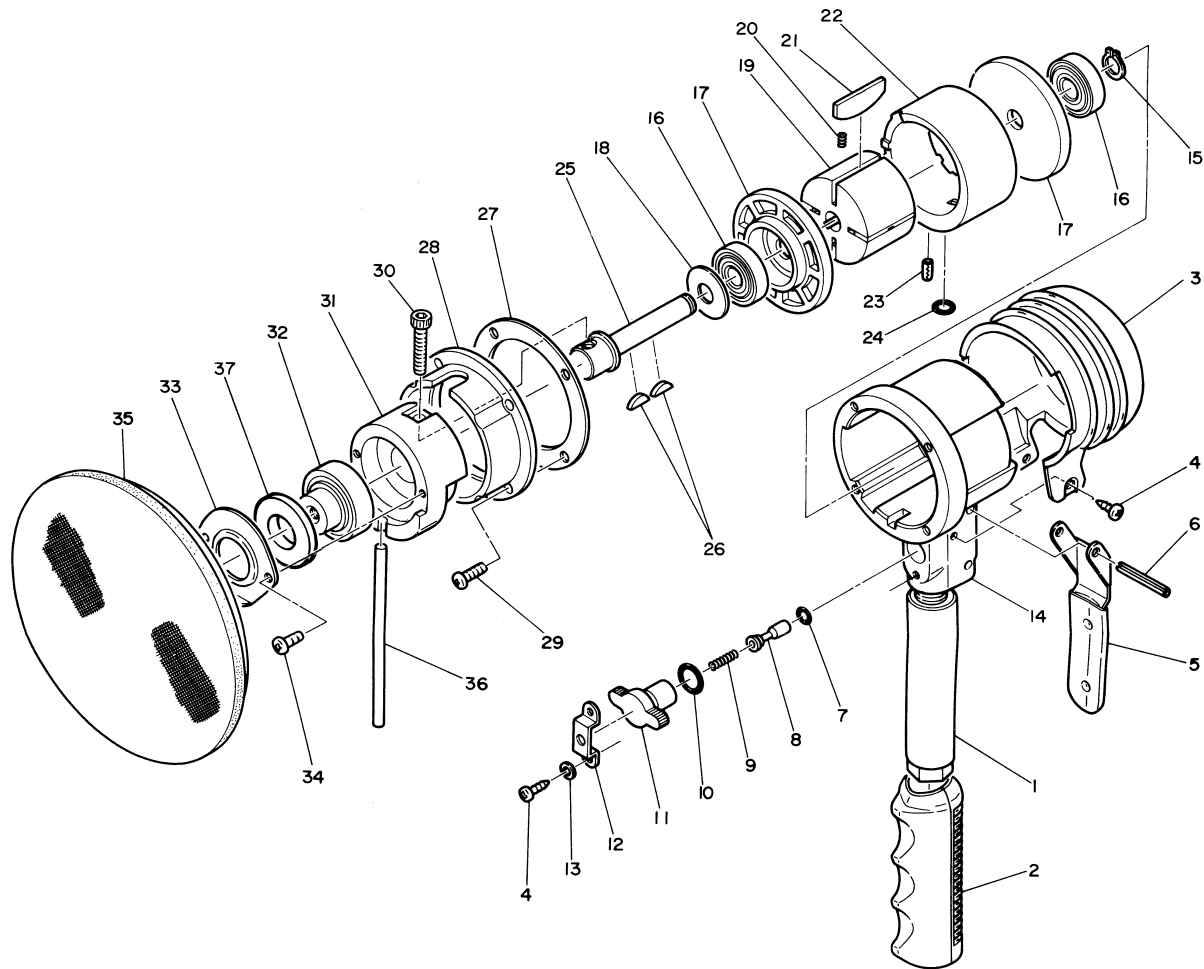


SI-3100

6" Double Action Sander



Ref. No.	Parts No.	Description	Q'ty	Ref. No.	Parts No.	Description	Q'ty
1	480-15	Handle Grip	1	20	490-1	Blade Spring	2
2	480-11A	Grip Cover	1	21	470-9	Rotor Blade	4
3	475-26R	Housing Cover	1	22	640-1	Cylinder	1
4	JBM35-50	Screw	4	23	30-6	Roll Pin (3-6mm)	1
5	480-13A	Throttle Lever	1	24	P-7	O-Ring	1
6	40-30	Roll Pin (4-30mm)	1	25	481-22	Crank Shaft	1
7	P-4	O-Ring	1	26	480-23	Key	2
8	330-5	Valve Stem	1	27	470-49	Gasket	1
9	350-7	Valve Spring	1	28	481-47	Balancer Cover	1
10	P-8	O-Ring	1	29	A-M50-120	Screw	4
11	480-4	Air Regulator	1	30	Z-M60-250	Cap Screw	1
12	480-16	Regulator Retainer	1	31	481-13A	Balancer for 6" Pad	1
13	HSW-35	Washer	2	32	481-12A	Random Shaft Assy. incl. Ball Bearing (6202-ZZ)	1
14	475-3	Motor Housing incl. Valve Bush (330-4)	1	33	481-11A	Bearing Retainer	1
15	JS-10	Retaining Ring	1	34	A-M50-80	Screw	2
16	6200-ZZ	Ball Bearing	2	35	486-3C	6" Pad	1
17	640-12A	End Plate	2	36	480-54	Bar Wrench (5-100mm)	1
18	481-10	Spacer (Brass)	1	37	481-12B	Felt Ring	1
19	481-6TS	Rotor	1				