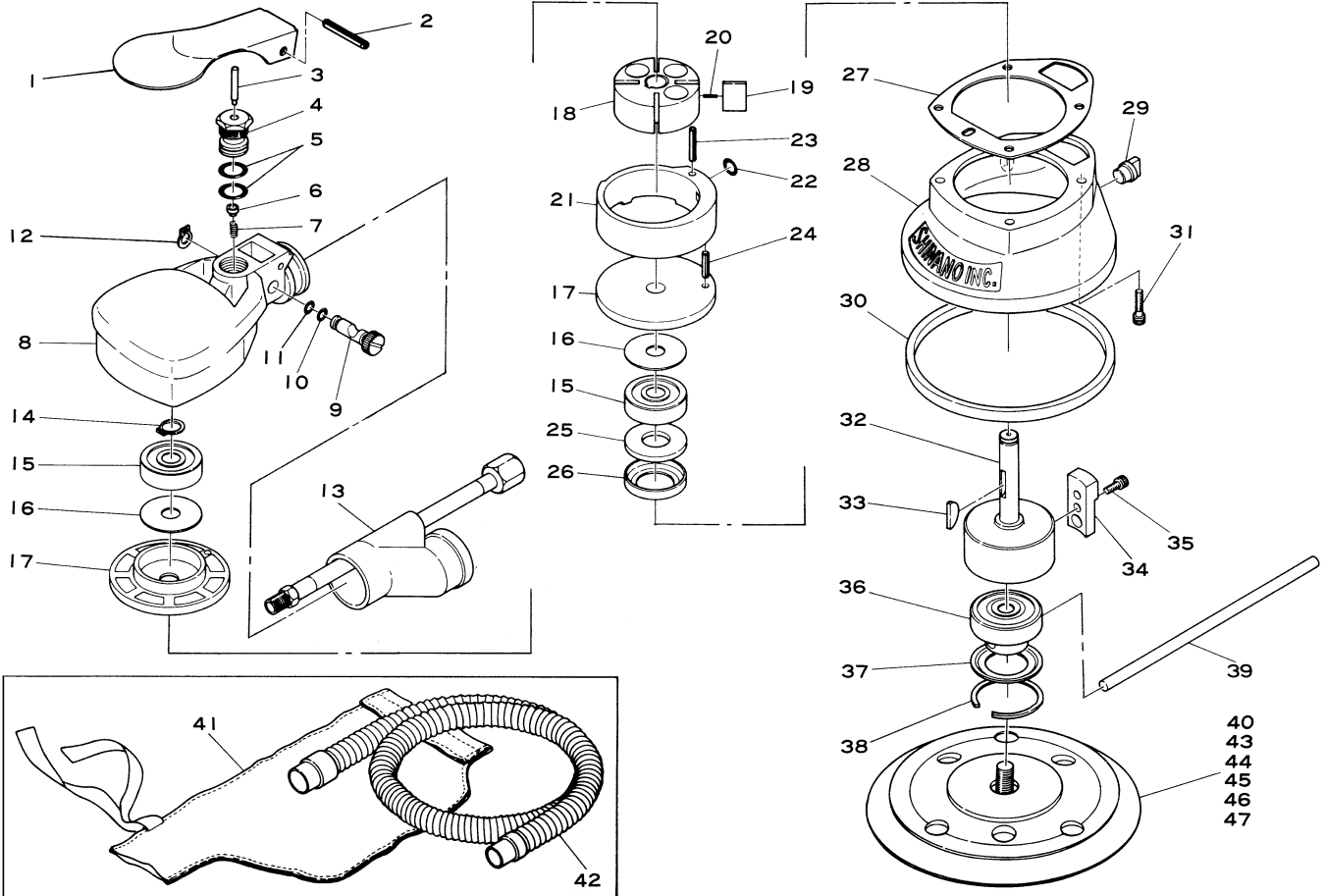


SI-3113(M) 5" Double Action Sander

SI-3113-6(M) 6" Double Action Sander



Ref. No.	Parts No.	Description	Q'ty	Ref. No.	Parts No.	Description	Q'ty
1	490-8	Throttle Lever	1	25	570-1	Felt Ring	1
2	40-30	Roll Pin (4-30mm)	1	26	481-9	Seal Cover	1
3	455-11	Valve Pin	1	27	490-13	Motor Gasket	1
4	490-4	Valve Body	1	28	491-13	Pad Cover	1
5	S-10	O-Ring	2	29	491-33	Plug	1
6	455-21	Valve	1	30	491DF-1	Felt Ring	1
7	490-20	Valve Spring	1	31	Z-632-127	Cap Screw	4
8	490-42	Motor Housing	1	32	491-9	Balancer Shaft	1
9	485-4	Air Regulator	1	33	480-23	Key	1
10	P-5	O-Ring	1	34	491-38	Adjust Weight	1
11	P-4	O-Ring	1	35	Z-M40-80	Cap Screw	2
12	JS-8	Retaining Ring	1	36	491-32	Random Shaft Assy. incl. Ball Bearing & Washer (6202LLUC2, 480-12A)	1
13	490DF-10	Wipe Hose Assy. incl. Connector & Hose Band (490DF-54, No.11)	1	37	480-17A	Seal Plate	1
14	IS-10	Retaining Ring	1	38	BR-35	Retaining Ring	1
15	6200-ZZ	Ball Bearing	2	39	480-54	Bar Wrench (5 φ -100mm)	1
16	485-45	Seal	2	☆40	M-125HD	5" Velcro Pad	1
17	490-53T	End Plate	2	41	485-42	Dust Pack	1
18	490-5	Rotor	1	42	570-42	Dust Hose	1
19	490-6	Rotor Blade	4	☆43	P-125HD	5" Leather Pad	1
20	490-1	Blade Spring	2	★44	M-150HD6	6" Velcro Pad 3M Type	1
21	490B-36	Cylinder	1	★45	P-150HD6	6" Leather Pad 3M Type	1
22	P-7	O-Ring	1	★46	M-150HD3-9	6" Velcro Pad	1
23	25-10	Roll Pin (2.5-10mm)	1	★47	P-150HD3-9	6" Leather Pad	1
24	25-6	Roll Pin (2.5-6mm)	1				

☆For SI-3113
★For SI-3113-6

Printed in Japan
★★★★★Sep. 1999