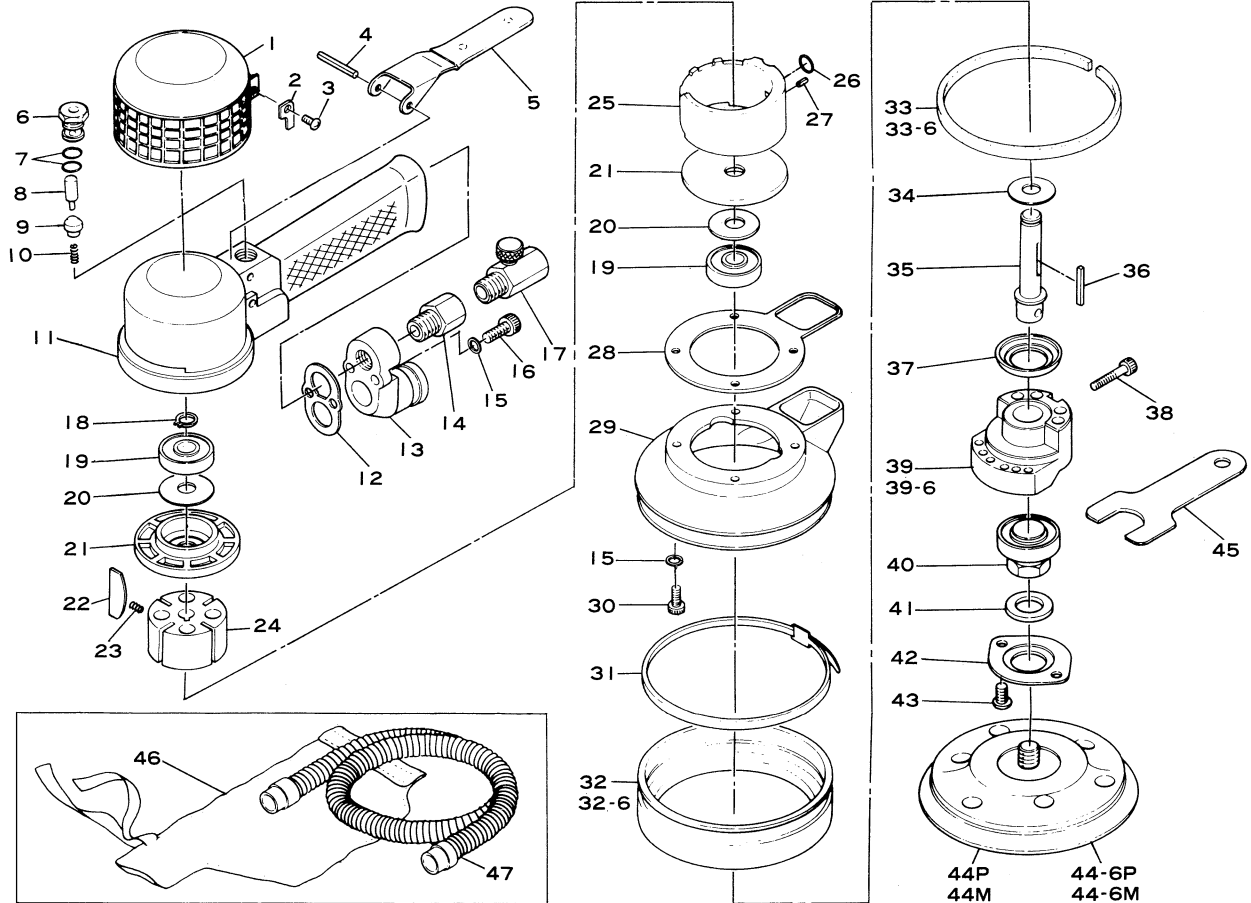


# SI-3118

5" Double Action Sander (Dust Free)

# SI-3118-6

6" Double Action Sander (Dust Free)



Ref. No.	Parts No.	Description	Q'ty	Ref. No.	Parts No.	Description	Q'ty
1	#485A-2	Housing Cover	1	28	#485A-6	Motor Gasket	1
2	#482-45	Retainer	2	29	#485A-5	Motor Retainer	1
3	JBM40-80	Screw	2	30	Z-M50-200	Cap Screw	4
4	40-30	Lever Pin (4-30mm)	1	31	#485A-44	Band	1
5	#480-13A	Throttle Lever	1	32	#485A-9	Pad Cover for SI-3118	1
6	#490-4	Valve Body	1	32-6	#485A-7	Pad Cover for SI-3118-6	1
7	S-10	O-Ring	2	33	#491DF-1	Felt Ring for SI-3118	1
8	#455-11	Valve Pin	1	33-6	#485A-8	Felt Ring for SI-3118-6	1
9	#455-21	Valve	1	34	#485-10	Bearing Seal (Felt)	1
10	#490-20	Valve Spring	1	35	#482-15	Crank Shaft	1
11	#485A-1	Motor Housing	1	36	#482-16	Key	1
12	#485A-4	Gasket	1	37	#481-9	Seal Cover	1
13	#485A-3	Housing Cap	1	38	Z-M60-250	Cap Screw	1
14	#680-18	Inlet Bushing	1	39	#482-31	Balancer for SI-3118	1
15	HSW-50	Washer	6	39-6	#481-13A	Balancer for SI-3118-6	1
16	Z-M50-150	Screw	2	40	#485A-10	Random Shaft incl. Bearing	1
17	#181-45	Regulator	1	41	#485A-11	Bearing Seal (Felt)	1
18	IS-10	Retaining Ring	1	42	#485A-12	Bearing Retainer	1
19	6200ZZ	Ball Bearing	2	43	A-M50-80	Screw	2
20	#485-45	Seal	2	44P	P-125HD	Leather 5" Pad for SI-3118	1
21	#640-12TB	End Plate	2	44M	M-125HD	Velcro 5" Pad for SI-3118	1
22	#470-9	Rotor Blade	4	44-6P	P-150HD	Leather 6" Pad for SI-3118-6	1
23	#490-1	Blade Spring	2	44-6M	M-150HD	Velcro 6" Pad for SI-3118-6	1
24	#482-6TS	Rotor	1	45	#485A-13	Spanner	1
25	#482-39	Cylinder	1	46	#485-42	Dust Pack	1
26	P-7	O-Ring	1	47	#570-42	Dust Hose	1
27	30-6	Roll Pin (3-6mm)	1				