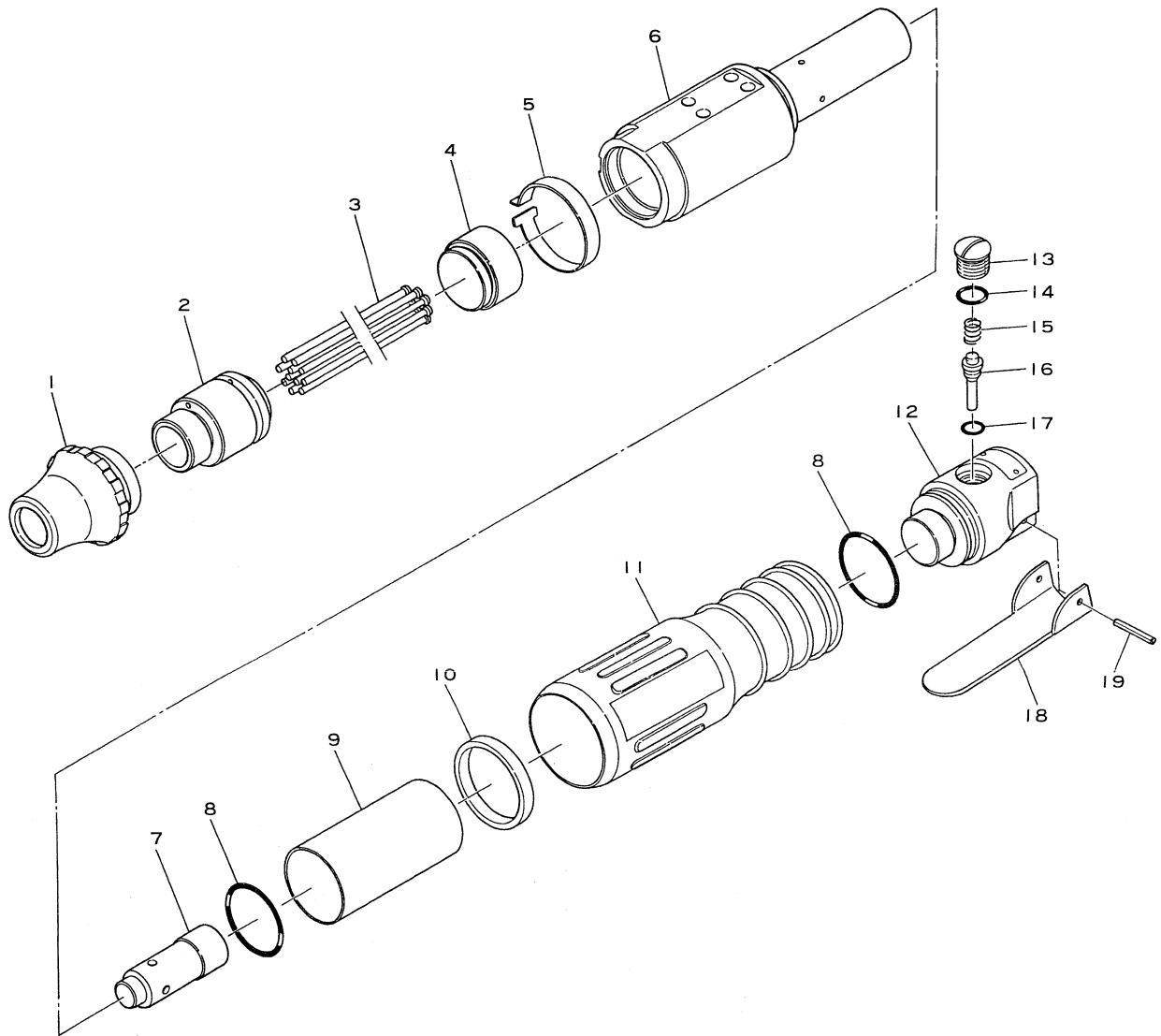


SI-4150

Needle Scaler



Ref. No.	Parts No.	Description	Q'ty	Ref. No.	Parts No.	Description	Q'ty
1	#820-6	Top Cover	1	11	#820-1	Housing Cover	1
2	#820-9	Needle Holder	1	12	#820-10	Valve Body incl. Valve Bush	1
3	#820-11	Needle	12	13	#230-68	Valve Screw	1
4	#820-8	Anvil	1	14	P-10	O-Ring	1
5	#820-3	Safety Lock	1	15	#230-4	Valve Spring	1
6	#820-5	Cylinder incl. Screws	1	16	#230-6	Valve Stem	1
7	#820-7	Piston	1	17	P-6	O-Ring	1
8	JAS0-1033	O-Ring	2	18	#430-3	Throttle Lever	1
9	#820-2	Sleeve	1	19	30-30	Roll Pin(3-30mm)	1
10	#820-4	Cushion Ring	1				