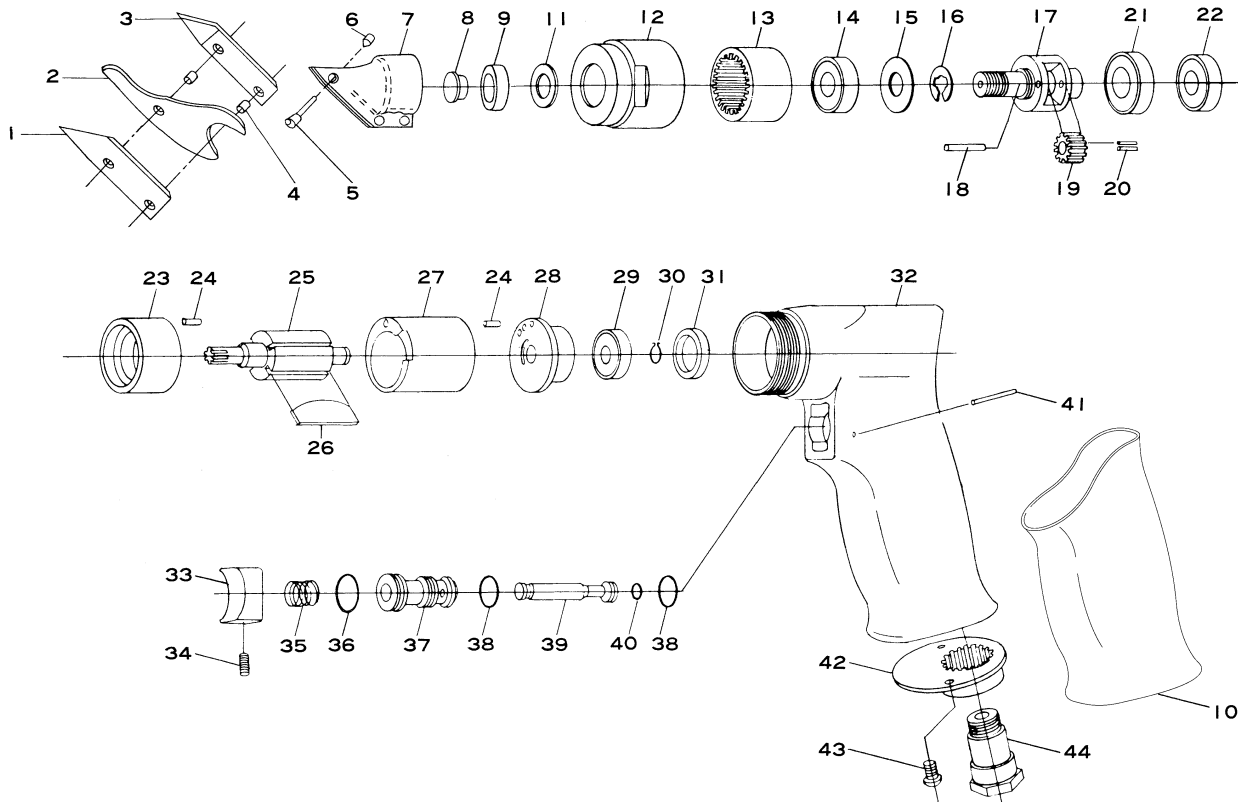


SI-4500

Sheet Metal Shear



Ref. No.	Parts No.	Description	Q'ty	Ref. No.	Parts No.	Description	Q'ty
1	160-3	Right Blade	1	23	680-4	Front Plate	1
2	160-2	Center Blade	1	24	25-5	Dowel Pin (2.5φ5mm)	2
3	160-4	Left Blade	1	25	680-5	Rotor	1
4	160-5	Collar	2	26	350-16	Rotor Blade	4
5	Z-1024-380	Cap Screw	3	27	680-1	Cylinder	1
6	160-7	Lock Nut	3	28	680-2	Rear Plate	1
7	160-1	Cutter Housing incl. Lock Nut(160-7x3)	1	29	626	Ball Bearing	1
8	160-8	Eccentric Nut	1	30	JS-6	Retaining Ring	1
9	EE-4-ZZ	Ball Bearing	1	31	680-34	Bearing Cap	1
10	120-35	Housing Cover	1	32	120-10ASI	Motor Housing	1
11	680-7	Spacer	1	33	120-18	Trigger	1
12	680-8	Clamp Nut	1	34	R-M40-60	Set Screw	1
13	680-9	Internal Gear	1	35	120-31	Valve Bushing	1
14	EE-3-ZZ	Ball Bearing	1	36	P-11	O-Ring	1
15	680-22	Fiber Washer	1	37	120-13	Valve Bushing	1
16	IE-10	Retaining Ring	1	38	P-10	O-Ring	2
17	680-3	Planet Cage	1	39	120-14	Valve Stem	1
18	680-17	Planet Pin	2	40	P-4	O-Ring	1
19	680-6	Planet Gear	2	41	25-20	Pin (2.5φ20mm)	1
20	1500-11-8	Needle Roller	22	42	120-11	Deflector	1
21	6001	Ball Bearing	1	43	JBM30-80	Screw	2
22	608-ZZ	Ball Bearing	1	44	120-17	Inlet Bushig	1