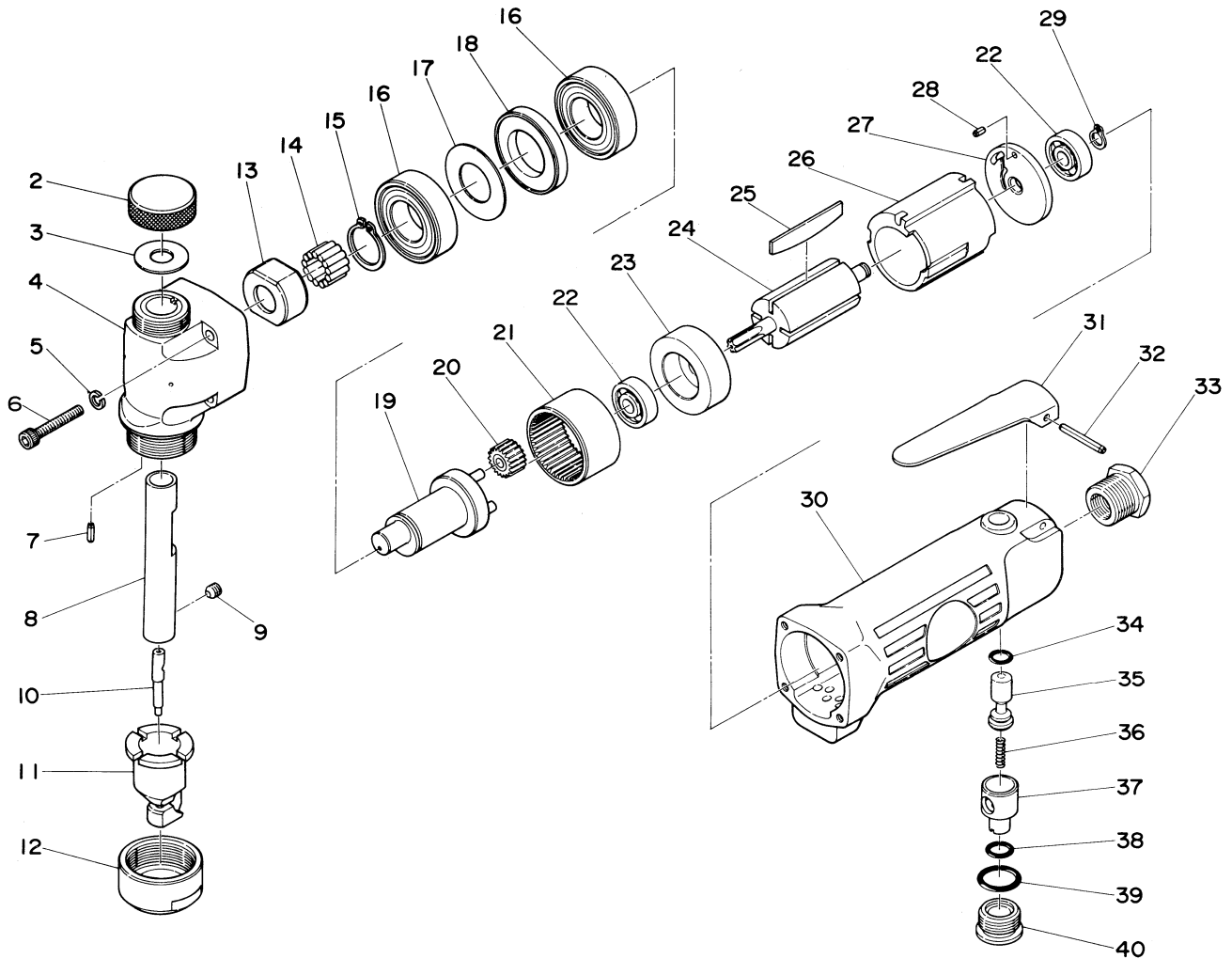


SI-4600

Air Nibbler



Ref. No.	Parts No.	Description	Q'ty	Ref. No.	Parts No.	Description	Q'ty
2	502-30	Grease Cap	1	22	626	Ball Bearing	2
3	502-43	Cap Gasket	1	23	220-12	Front Plate	1
4	502-29	Cutter Housing incl. Bush (502-34)	1	24	220-15A	Rotor	1
5	HSW-40	Washer	4	25	350-16	Rotor Blade	4
6	Z-832-250	Cap Screw	4	26	680-1	Cylinder	1
7	25-8	Roll Pin (2.5φ-8mm)	1	27	220-11A	Rear Plate	1
8	502-33	Slide Pin	1	28	25-5	Roll Pin (2.5φ-5mm)	1
9	R-M50---50	Set Screw	1	29	JS-6	Retaining Ring	1
10	502-42	Punch	1	30	502-8	Motor Housing incl. Valve Bush (350-4)	1
11	502-41	Die	1	31	350-2	Throttle Lever	1
12	502-45	Lock Nut	1	32	30-24	Roll Pin (3φ-24mm)	1
13	502-31	Cam	1	33	670-22	Inlet Bushing	1
14	502-32	Pin	13	34	P-5	O-Ring	1
15	JS-17	Retaining Ring	1	35	350-5	Valve Stem	1
16	6003-Z	Ball Bearing	2	36	350-7	Valve Spring	1
17	502-26	Seal Plate	1	37	350-8A	Air Regulator	1
18	502-25	Spacer	1	38	P-8	O-Ring	1
19	502-24	Crank Shaft incl. Pins (300-21x3)	1	39	P-11	O-Ring	1
20	217-12	Planet Gear incl. Bushes (217-33)	3	40	350-10	Valve Screw	1
21	217-10A	Internal Gear	1				