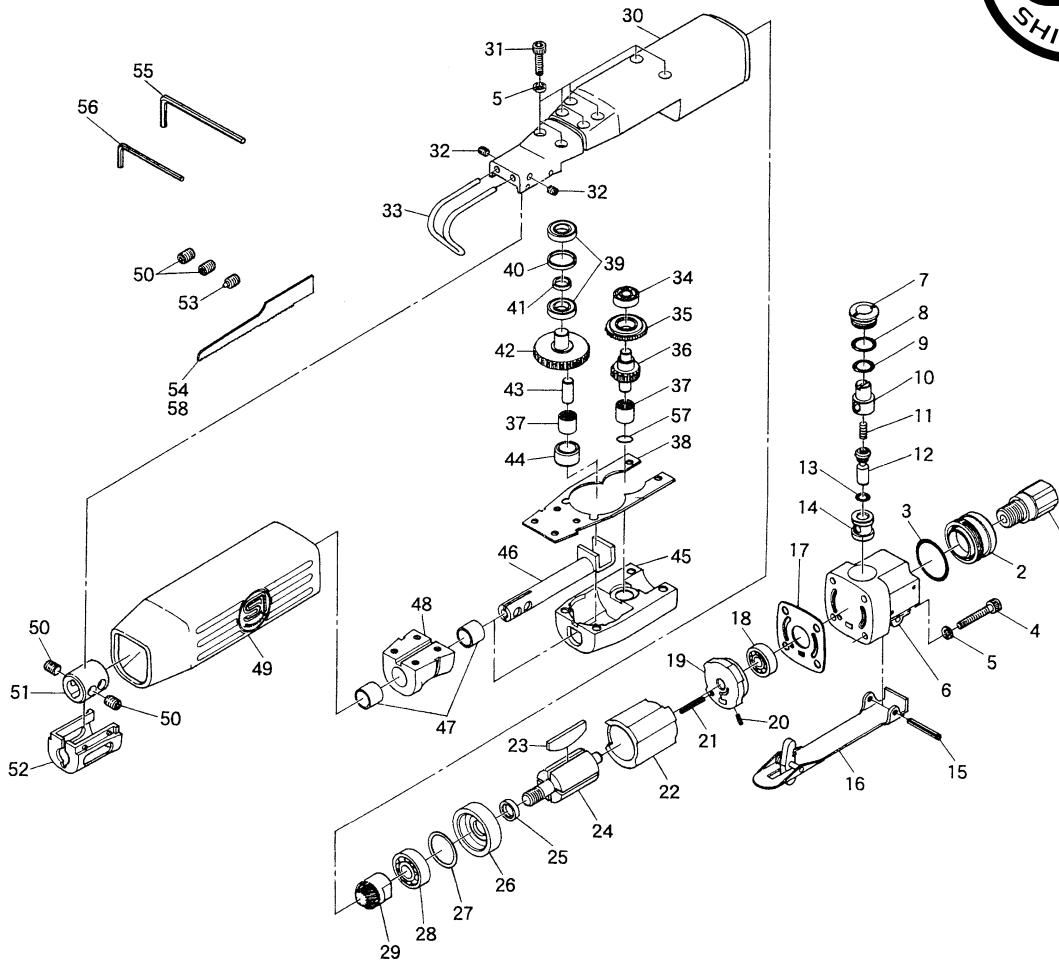


SI-4730

Air Saw & File



Ref. No.	Parts No.	Description	Q'ty	Ref. No.	Parts No.	Description	Q'ty
1	175B-26	Inlet Bushing	1	31	Z-832-160	Cap Screw	8
2	1025-5	Deflector	1	32	ROM40-50	Set Screw	2
3	620-28	O-Ring	1	33	1025-26	Work Guide	1
4	Z-832-250	Cap Screw	4	34	696-ZZ	Ball Bearing	1
5	HSW-40	Washer	12	35	1025-16	Bevel Gear	1
6	1025-4	Valve Case	1	36	1025-18	Drive Pinion	1
7	330-10	Valve Screw	1	37	HK0609	Needle Bearing	2
8	P-10	O-Ring	1	38	1025-7	Crank Case Gasket	1
9	P-8	O-Ring	1	39	688	Ball Bearing	2
10	330-8A	Air Regulator	1	40	1025-20	Collar L	1
11	350-7	Valve Spring	1	41	1025-19	Collar S	1
12	330-5	Valve Stem	1	42	1025-17	Drive Gear	1
13	P-4	O-Ring	1	43	1025-14	Drive Pin	1
14	330-4	Valve Bush	1	44	1025-13	Drive Roller	1
15	30-24	Roll Pin (3-24mm)	1	45	1025-2	Crank Case	1
16	506-48A	Throttle Lever	1	46	1025-9	Drive Shaft	1
17	1025-6	Motor Gasket	1	47	506-11	Bush	2
18	626	Ball Bearing	1	48	1025-3	Slide Pin Case	1
19	1025-24	Rear Plate	1	49	1025-8	Housing Cover	1
20	15-6	Roll Pin (1.5-6mm)	1	50	ROM60-80	Set Screw	4
21	15-18	Roll Pin (1.5-18mm)	1	51	1025-11	Blade Chuck	1
22	1025-21	Cylinder	1	52	1025-25	Chuck Cover	1
23	1025-23	Rotor Blade	4	53	1025-12	Stopper Screw	1
24	1025-22	Rotor	1	54	1025-49	Saw Blade 32T	1
25	330-18	Collar	1	55	WRA-3	3mm Allen Wrench	1
26	1025-10	Front Plate	1	56	WRA-2	2mm Allen Wrench	1
27	330-20	Shim (0.03mm)	1	57	1025-27	Washer	1
28	608-ZZ	Ball Bearing	1	★ 58	1025-50	Saw Blade 24T	
29	1025-15	Pinion Gear	1	*★ 59	890-100	Wipe Hose Assy.	
30	1025-1	Motor Housing	1				