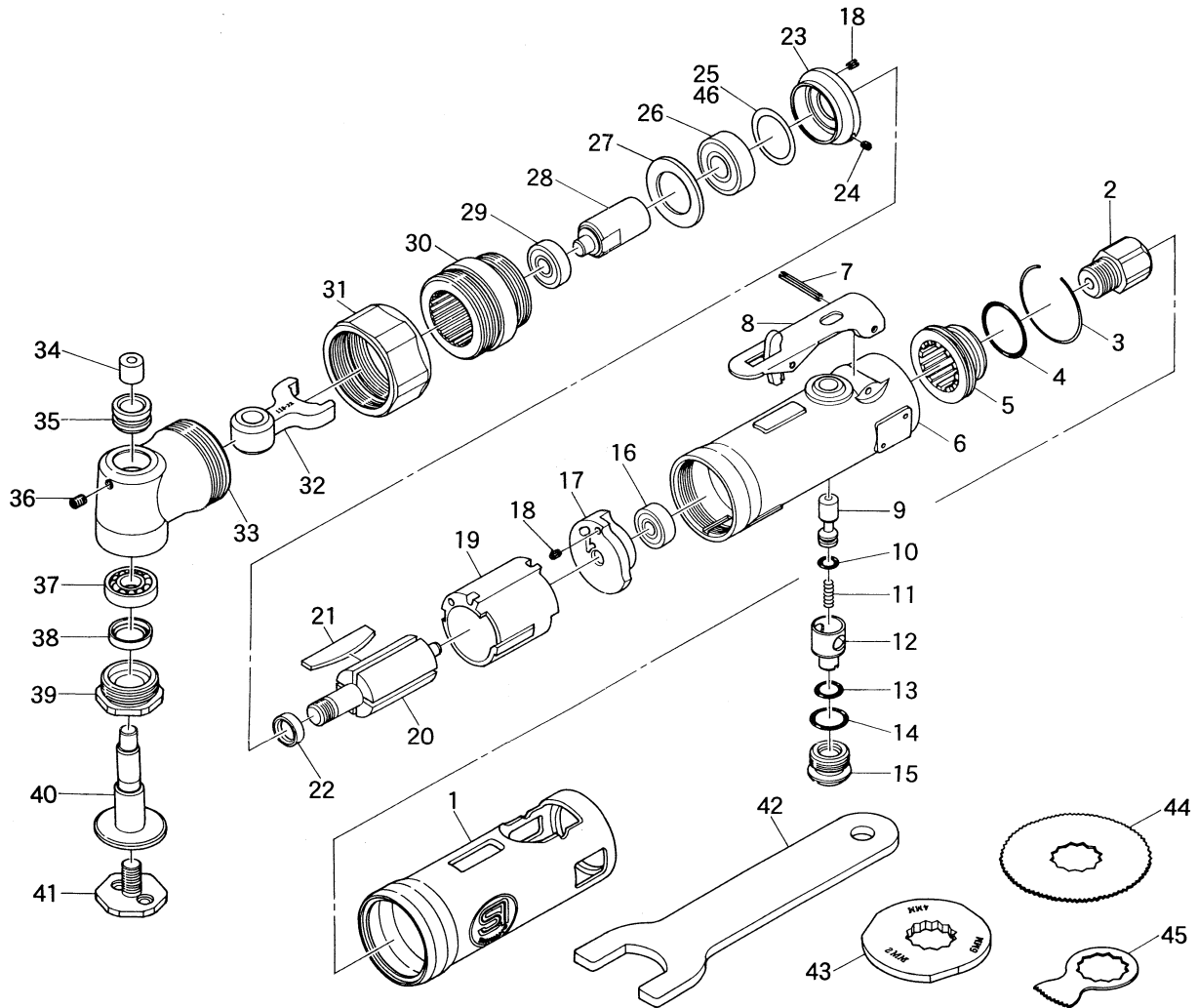


SI-4750

Oscillation Cutter



Ref. No.	Parts No.	Description	Q'ty	Ref. No.	Parts No.	Description	Q'ty
1	892-2R	Housing Cover	1	24	25-3.5	Roll Pin (2.5-3.5mm)	1
2	180-1SC	Inlet Bushing incl. Screen (680-28A)	1	25	350-20	Shim (0.03mm)	1
3	620-30	Retaining Ring	1	26	6000-ZZ	Ball Bearing	1
4	620-28	O-Ring	1	27	118D-3	Washer	1
5	620-18	Deflector	1	28	508-31	Crank Shaft	1
6	892-1	Motor Housing incl. Bush (350-4)	1	29	607-ZZ	Ball Bearing	1
7	30-24	Roll Pin (3-24mm)	1	30	118D-2	Motor Clump Ring	1
8	350-2L	Throttle Lever	1	31	118D-1	Coupling Nut	1
9	350-5	Valve Stem	1	32	118-32	Drive Fork	1
10	P-5	O-Ring	1	33	118-29	Angle Head	1
11	350-7	Valve Spring	1	34	BK0709	Needle Bearing	1
12	350-8	Air Regulator	1	35	508-35	Bearing Case	1
13	P-8	O-Ring	1	36	R-832-1/4	Grease Plug	1
14	P-11	O-Ring	1	37	EE-3	Ball Bearing	1
15	350-10	Valve Screw	1	38	508-7	Oil Seal	1
16	626-ZZ	Ball Bearing	1	39	508-34	Spindle Nut	1
17	620-9	Rear Plate	1	40	118-38	Spindle	1
18	25-5	Roll Pin (2.5-5mm)	2	41	508-33	Retainer Screw	1
19	680-1	Cylinder	1	42	118-47	Spanner Wrench	1
20	350-15	Rotor	1	43	508-44	Adjuster	1
21	350-16	Rotor Blade	4	44	508-45A	Cutting Wheel	1
22	350-18	Collar	1	45	508-45B	Cutting Blade	1
23	620-10	Front Plate	1	◆46	350-29	Shim (0.05mm)	

◆Option