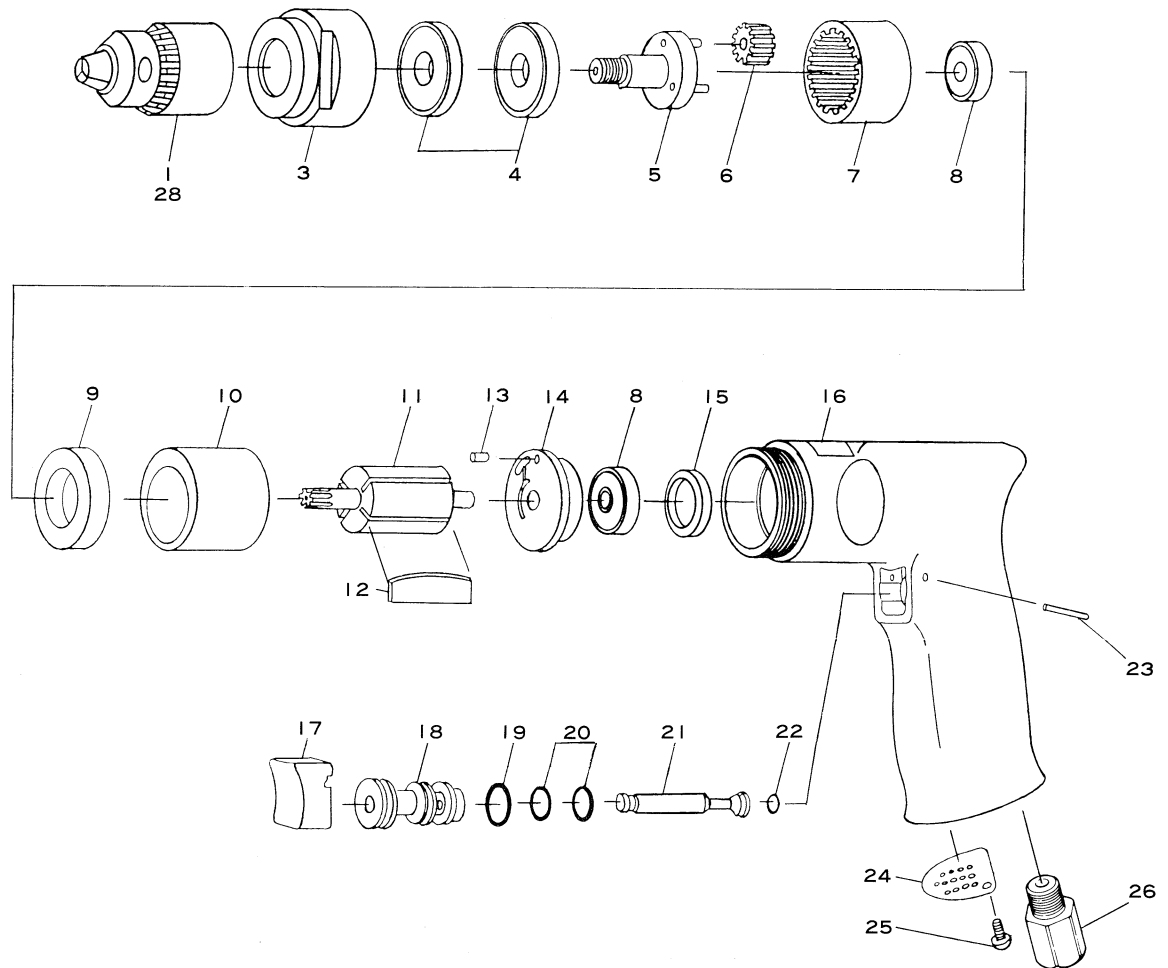


SI-5500

3/8" Drill



Ref. No.	Parts No.	Description	Q'ty	Ref. No.	Parts No.	Description	Q'ty
1	31904	3/8" Drill Chuck w/Handle KG1	1	16	210-1SI	Motor Housing incl. Steel Ball (SB-1/4)	1
3	210-15	Clamp Nut	1	17	220-2	Trigger	1
4	6201-Z	Ball Bearing	2	18	220-31	Valve Body	1
5	220-10	Planet Cage incl. Pins (300-21x3)	1	19	P-11	O-Ring	1
6	210-8	Planet Gear	3	20	P-10	O-Ring	2
7	217-10	Internal Gear	1	21	120-14	Valve Stem	1
8	626	Ball Beaing	2	22	P-4	O-Ring	1
9	210-11	Front Plate	1	23	25-20	Roll Pin (2.5-20mm)	1
10	800-1	Cylinder	1	24	220-6	Deflector	1
11	210-13	Rotor	1	25	JBM40-80	Screw	1
12	301-15	Rotor Blade	4	26	680-18	Inlet Bushing	1
13	15-6	Roll Pin (1.5-6mm)	1	*27	KG1	Chuck Handle for 31904 & SM4G61	1
14	300-4	Rear Plate	1	◆28	30221	3/8" Cap. Keyless Chuck (3/8" Thd.)	
15	680-34	Bearing Cap	1				

* Not Shown
◆ Option

Printed in Japan
★★★★Nov. 2000