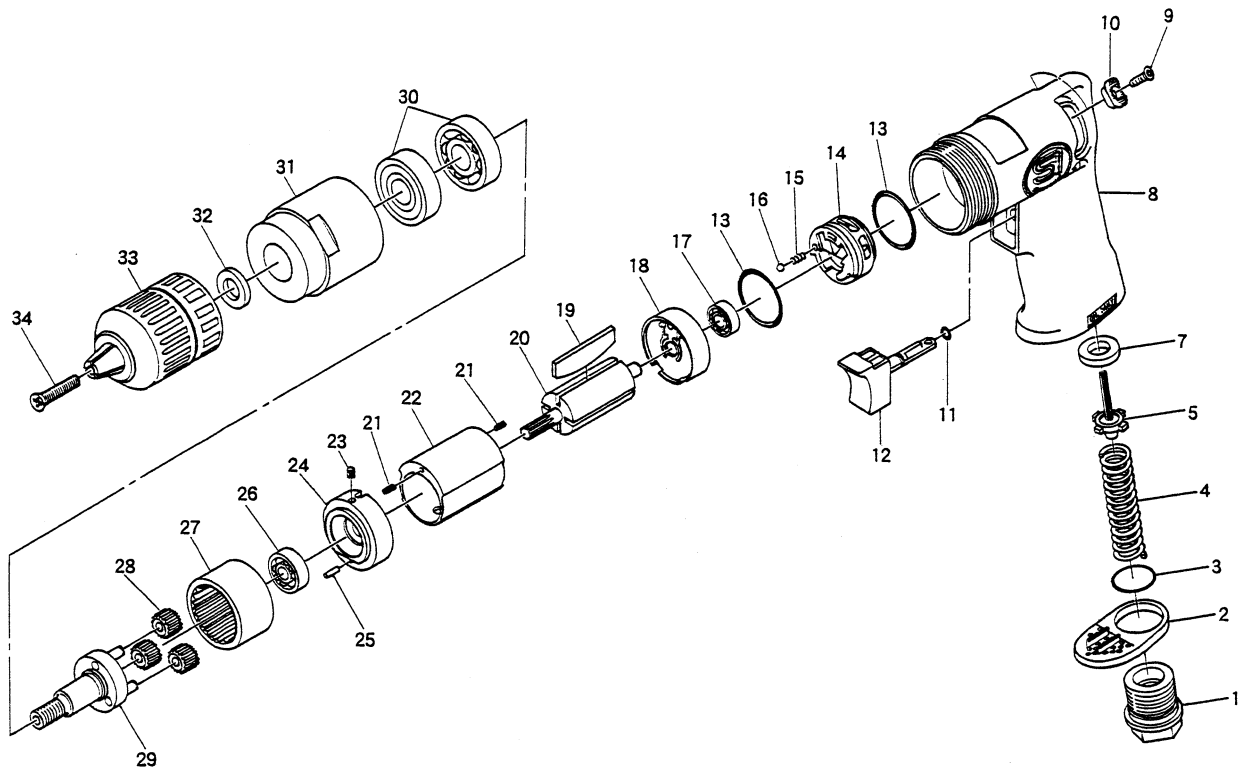


SI-5505

3/8" Planetary Gear Drill-Reversible



Ref. No.	Parts No.	Description	Q'ty	Ref. No.	Parts No.	Description	Q'ty
1	991-5	Inlet Bushing	1	18	210R-3	Rear Plate	1
2	216-5	Deflector	1	19	301-15	Rotor Blade	4
3	991-7	O-Ring	1	20	210-13	Rotor	1
4	991-8	Valve Spring	1	21	15-6	Roll Pin (1.5-6mm)	2
5	960-35	Valve	1	22	119D-2	Cylinder	1
6	30-32	Roll Pin (3-32mm)	1	23	25-3.5	Roll Pin (2.5-3.5mm)	1
7	960-34	Valve Seat	1	24	210R-5	Front Plate	1
8	210R-8	Motor Housing	2	25	1500-68	Pin	1
9	EZM30-100	Screw	2	26	626	Ball Bearing	1
10	210R-4	Reverse Lever	1	27	210R-6	Internal Gear	1
11	216-6	O-Ring	1	28	210-8	Planet Gear	3
12	911A-9	Tringger	2	29	215-40	Work Spindle incl. Pins (300-21×3)	1
13	210R-7	O-Ring	1	30	6201-Z	Ball Bearing	2
14	210R-2	Reverse Valve	1	31	215-41	Clamp Nut	1
15	960-50	Spring	1	32	680-7	Spacer	1
16	SB-1/8	Steel Ball	1	33	LX10	3/8" Cap. Keyless Chuck (3/8" Thd.)	1
17	696	Ball Bearing	1	34	215-1	Chuck Screw	1